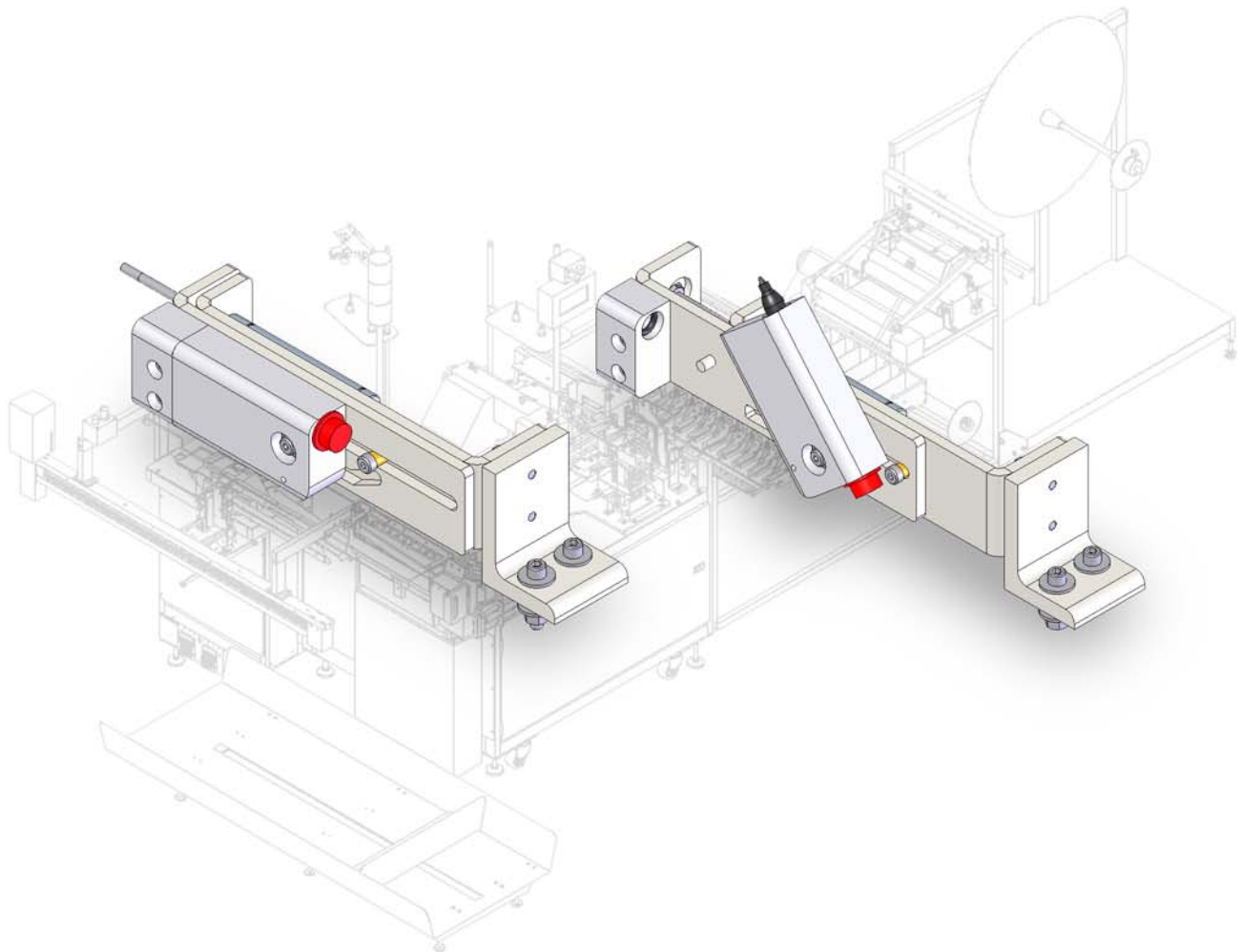


model: **3300PMR & PML**  
Border Marking Module



# Installation & Setup Instructions

"Sudden Service"®



## Atlanta Attachment Company

401 Industrial Park Dr.  
Lawrenceville, GA 30045  
Phone: 770-963-7369  
www.atlatt.com



**One-Stop Shopping**  
for Expendable Replacement  
Parts for AAC & Other Bedding  
Equipment Suppliers  
Toll Free: **1-866-885-5100**

www.atlantapartsdepot.com

Revision 0  
Created: May 12, 2005

# Atlanta Attachment Company, Inc.

## Confidential And Proprietary Information

The materials contained herein are confidential and proprietary information of Atlanta Attachment Company. In addition to any confidentiality and non-disclosure obligations that currently exist between you and Atlanta Attachment Company, your use of these materials serves as an acknowledgment of the confidential and proprietary nature of these materials and your duty not to make any unauthorized use or disclosure of these materials.

All materials contained herein are additionally protected by United States Copyright law and may not be used, disclosed, reproduced, distributed, published or sold without the express written consent of Atlanta Attachment Company, which consent may be withheld in Atlanta Attachment Company's sole discretion. You may not alter or remove any copyright, trademark or other notice from copies of these materials.

## Patents & Patents Pending

The sale of this product does not sell or otherwise transfer any license or other rights under any U.S. Patent or other corresponding foreign patent.

This equipment is protected by one or more of the following patents:

US patents: 4,038,933; 4,280,421; 4,432,294; 4,466,367; 4,644,883; 4,886,005; 5,134,947; 5,159,889; 5,203,270; 5,307,750; 5,373,798; 5,437,238; 5,522,332; 5,524,563; 5,562,060; 5,634,418; 5,647,293; 5,657,711; 5,743,202; 5,865,135; 5,899,159; 5,915,319; 5,918,560; 5,924,376; 5,979,345; 6,035,794

Foreign patents - 2,084,055; 2,076,379; 2,177,389; 2,210,569; 4-504,742; 8-511,916; 9-520,472; 0,537,323; 92,905,522.6; 95,935,082.8; 96,936,922.2; 5,159,889; 5,203,270.

Other U.S. and Foreign Patents Pending.



## **I M P O R T A N T**

**It is important to read and understand the information contained within this manual before attempting to operate the machine. Atlanta Attachment Co., Inc. shall not be held liable for damage resulting from misuse of the information presented within, and reserves the right to change the information contained within, without prior notification.**

Atlanta Attachment Company  
401 Industrial Park Drive  
Lawrenceville, Georgia 30045  
Phone: (770) 963-7369  
Fax: (770) 963-7641  
Email: sales@atlatt.com



**3300 Advanced Settings**

1. Twin Border Length	2. Twin XL Border Length	3. Full Border Length
4. Full XL Border Length	5. Queen Border Length	6. King Border Length
7. California King Border Length	8. Special Sizes	9. Custom Border Length
10. Foam Border Prefeed Comp.	11. Foam Border Feed Comp.	12. Handle Length Adjust
13. Fiber Border Prefeed Comp.	14. Fiber Border Feed Comp.	15. Bobbin Warning
16.	17. Handle Feed Time Out	18.
19. Border Auto Splice	20. Border Auto Flaw Mark	21. Border Halves Enable
22.	23. Border Chop Pause Enable	



## **Installation Instructions**

1. Go into Advanced Settings and write down all of the settings on the sheet provided on page 1. Be sure to write any saved styles under the Special Size settings.
2. With the machine turned ON, swing out the folder and with a 1/8th inch Allen wrench remove the 5 screws holding the cloth plate in front of the sewing head. Remove the cloth plate.
3. Add the new holes for mounting the marker according to the drawings on pages 6 & 7. (3300011 for left hand machines, 3300014 for right hand machines).
4. Mount the marker module as shown in drawings 3300016 & 3300017 on page 8 & 9.
5. Install the new cloth plate with the large slot in it.
6. Swing in the folder and turn off the power and shut off the main air supply.
7. Assemble the new valve included in the kit (see fig. 1). Remove the small rubber gasket on the base unit and use the larger gasket that comes with the electric solenoid (see figs. 2 and 3). Plug in the Red and Black wired adaptor into the solenoid (see fig. 4).
8. Loosen the Phillips Head screw at the bottom of the valve stack (see fig. 5). Press the unlocking tab on the back (see fig. 6) then press the button on the front side of the end cap (see fig. 7) and slide it off the rail.
9. Press the lock tab on the back (see fig. 6) of the main air inlet and slide it off the rail.
10. Slide the new Marker valve assembly on, under the #18 solenoid (see fig. 8). Make sure it locks into place. Slide the Main Air Inlet and End Cap back onto the valve stack, push up on the end cap and tighten the Phillips Head Screw (see figs. 9 & 10).
11. Using the 5/32 air line provided in the kit run the air lines from the newly installed marker valve to the marking module on the table top. (See diagram on page 10.)
12. Locate module #21 in the control cabinet (see fig. 11). Unplug the light tower cable (part # 33001130).
13. Plug the male end of the blue wired jumper into the light tower cable (see fig. 12)
14. Plug the female end of the jumper into module 21, plug into the #2 and #3 outputs on the module (see fig. 13)
15. Plug the red and black cable from the newly installed marker solenoid into module 21 at the #1 output (see fig. 14).
16. Unplug current Program module and install the new Program module included in the kit.
17. Turn on the Main Air Supply.
18. Turn on the Main Power.
19. If a screen comes up titled MACHINE VERSION follow the instructions shown to change the MACHINE VERSION number to 30.
20. When the screen comes up there should be a Fatal Error screen to appear. The program in the module is 300 and the controller is 200. Please read the screen and be sure that it states that it will update the CONTROLLER. If it does press continue.
21. Follow the instructions on the screen.

## **Setup & Operating Instructions**

The marking module is designed to mark on the back of the border at the center of the foot of the bed for locating a label. The marking function must be enabled in the setting screens. Go to the 3rd page of the Advanced Settings pages. Set the "Marker Enable" to 1 (on). Set the distance in inches 9xx.xx0 from the marker to the knife in the "Marker To Knife Distance" setting. Set the marker on time (x 10 ms) in the "Marker Move Time" setting. Run a border and check the position of the mark. Fine-tune the position of the mark by adjusting the "Marker To Knife Distance" setting. Note: increasing the "Marker To Knife Distance" will move the mark closer to the leading edge of the border.



# Installation Figures



Fig. 1



Fig. 2



Fig. 3

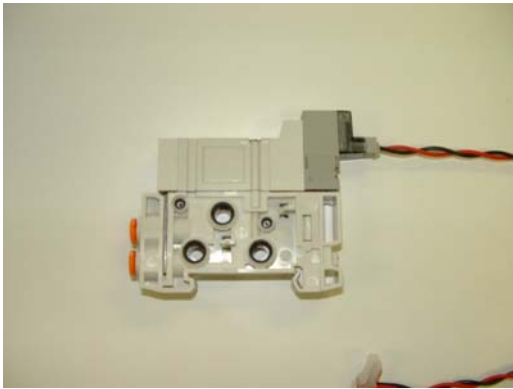


Fig. 4



Fig. 5



Fig. 6







Fig. 7

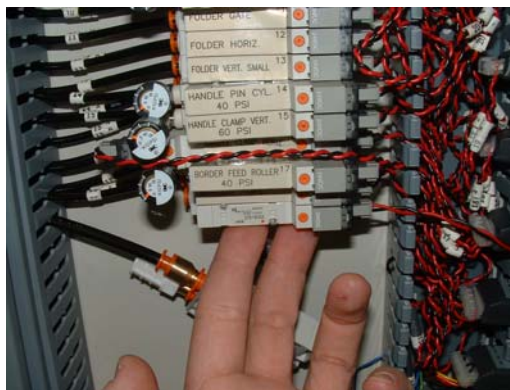


Fig. 8



Fig. 9

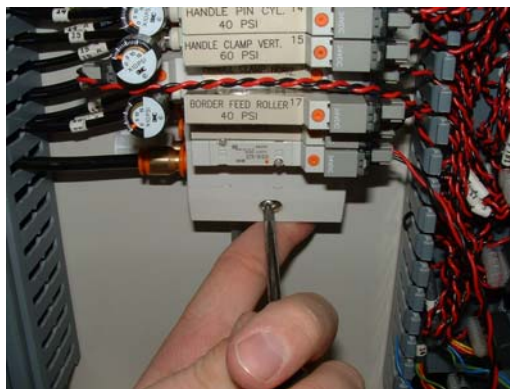


Fig. 10



Fig. 11

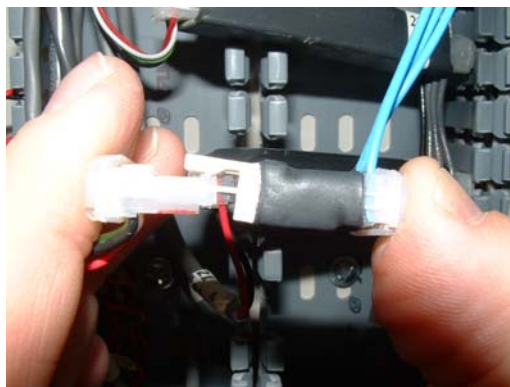


Fig. 12



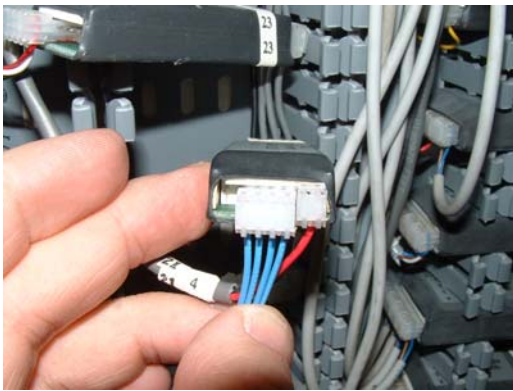


Fig. 13

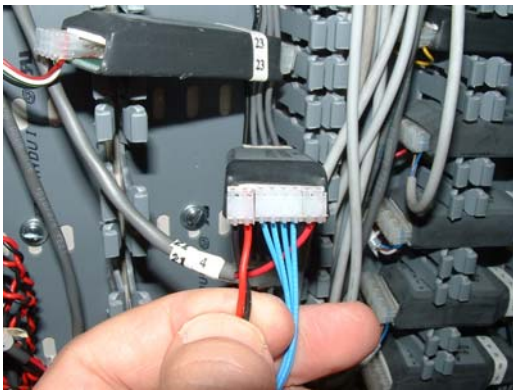
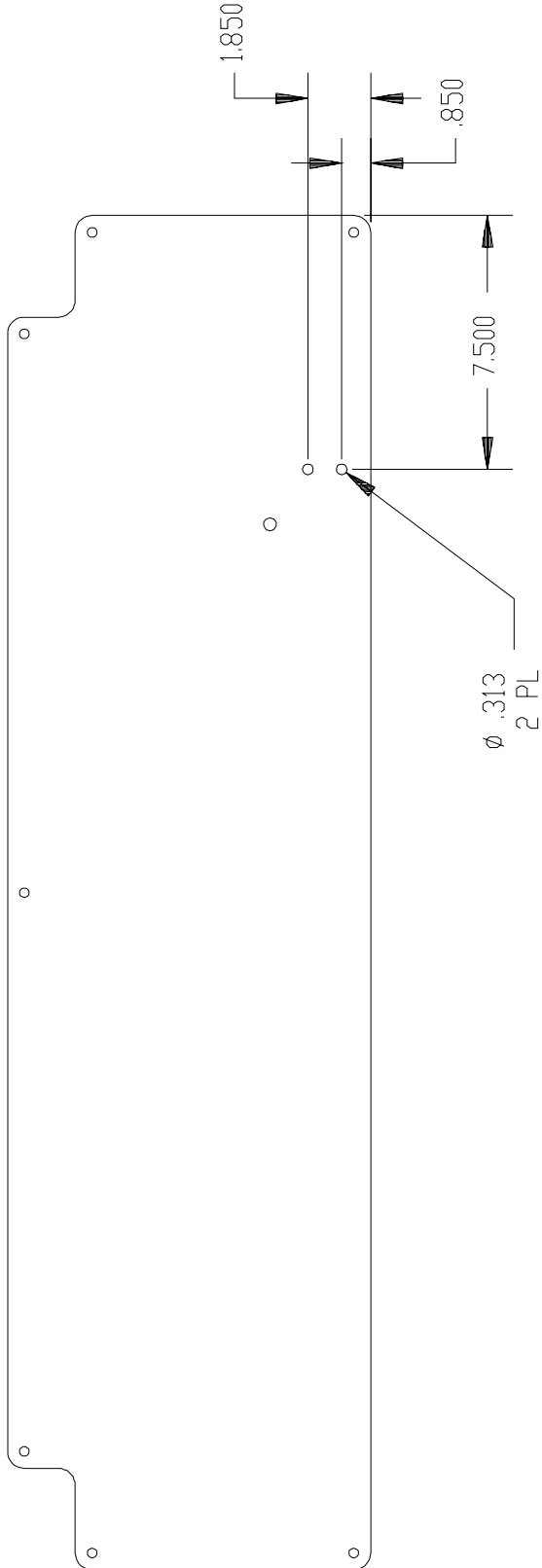


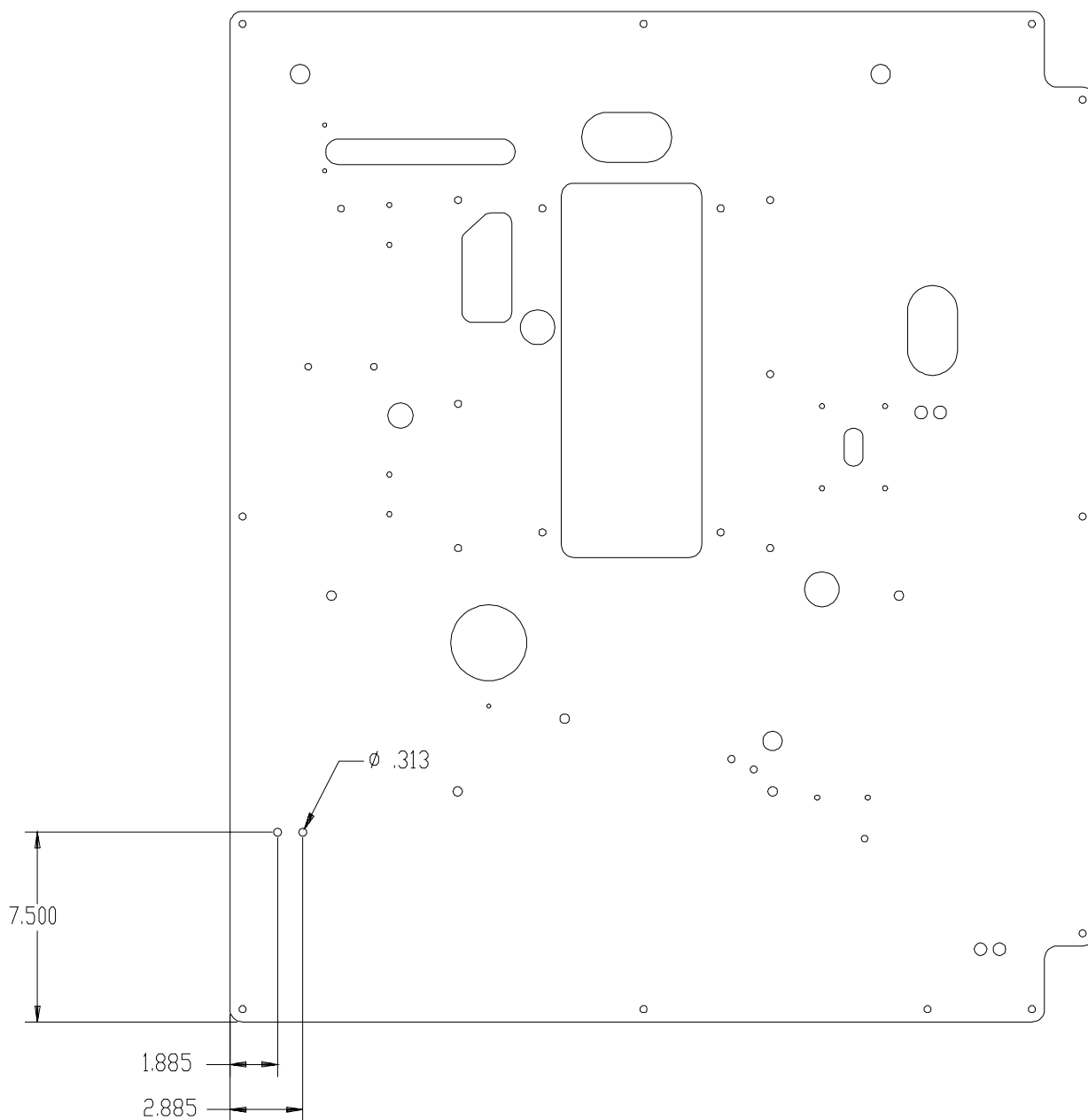
Fig. 14



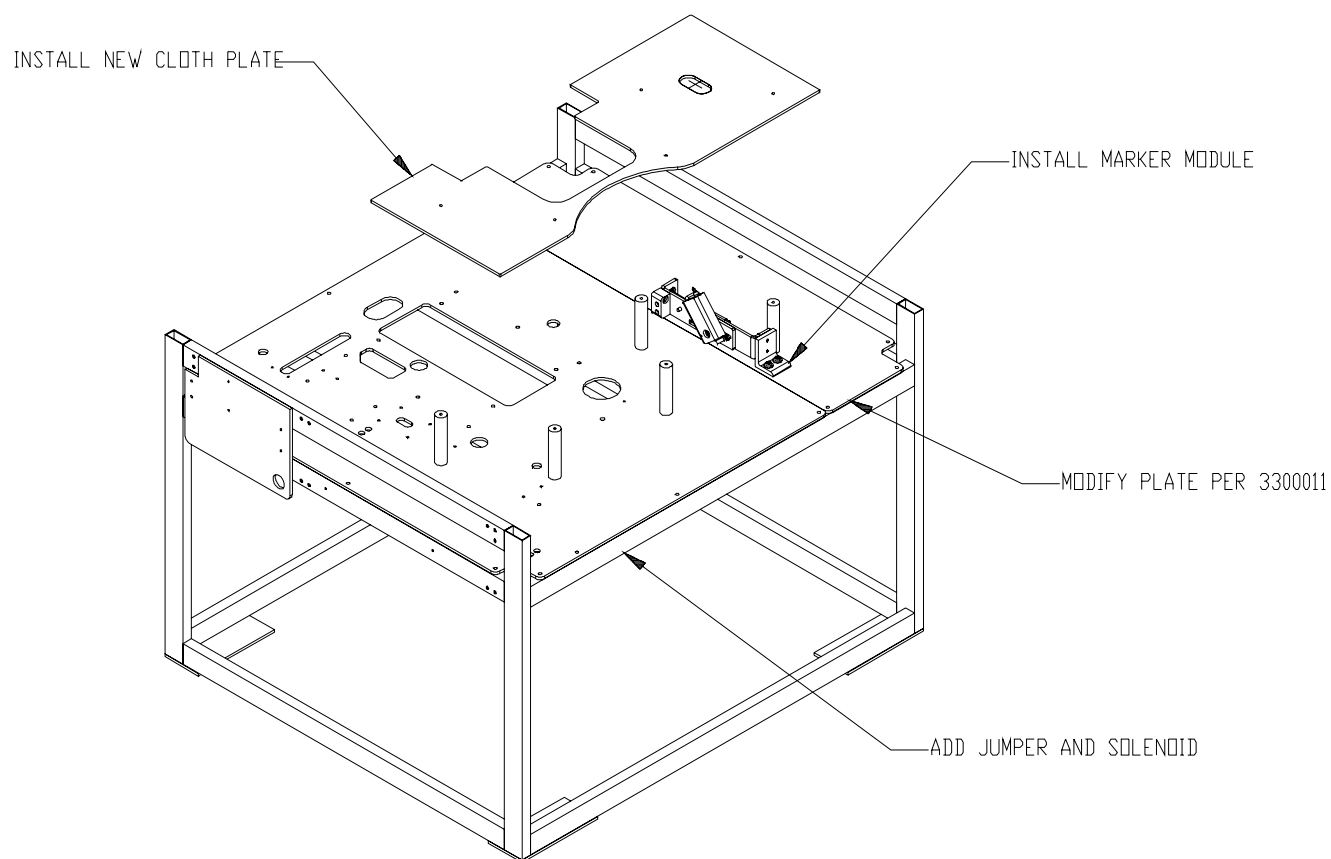
3300011



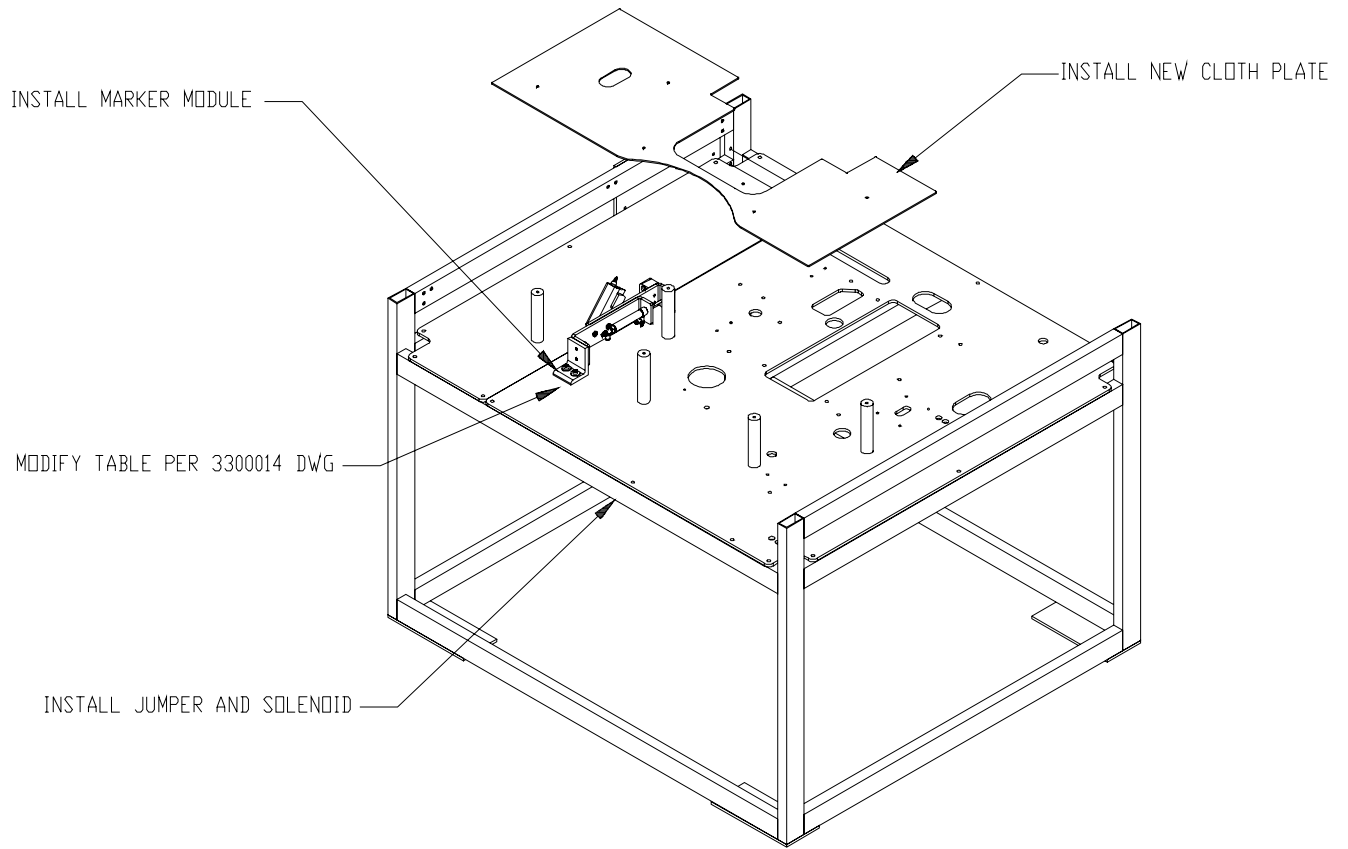
3300014



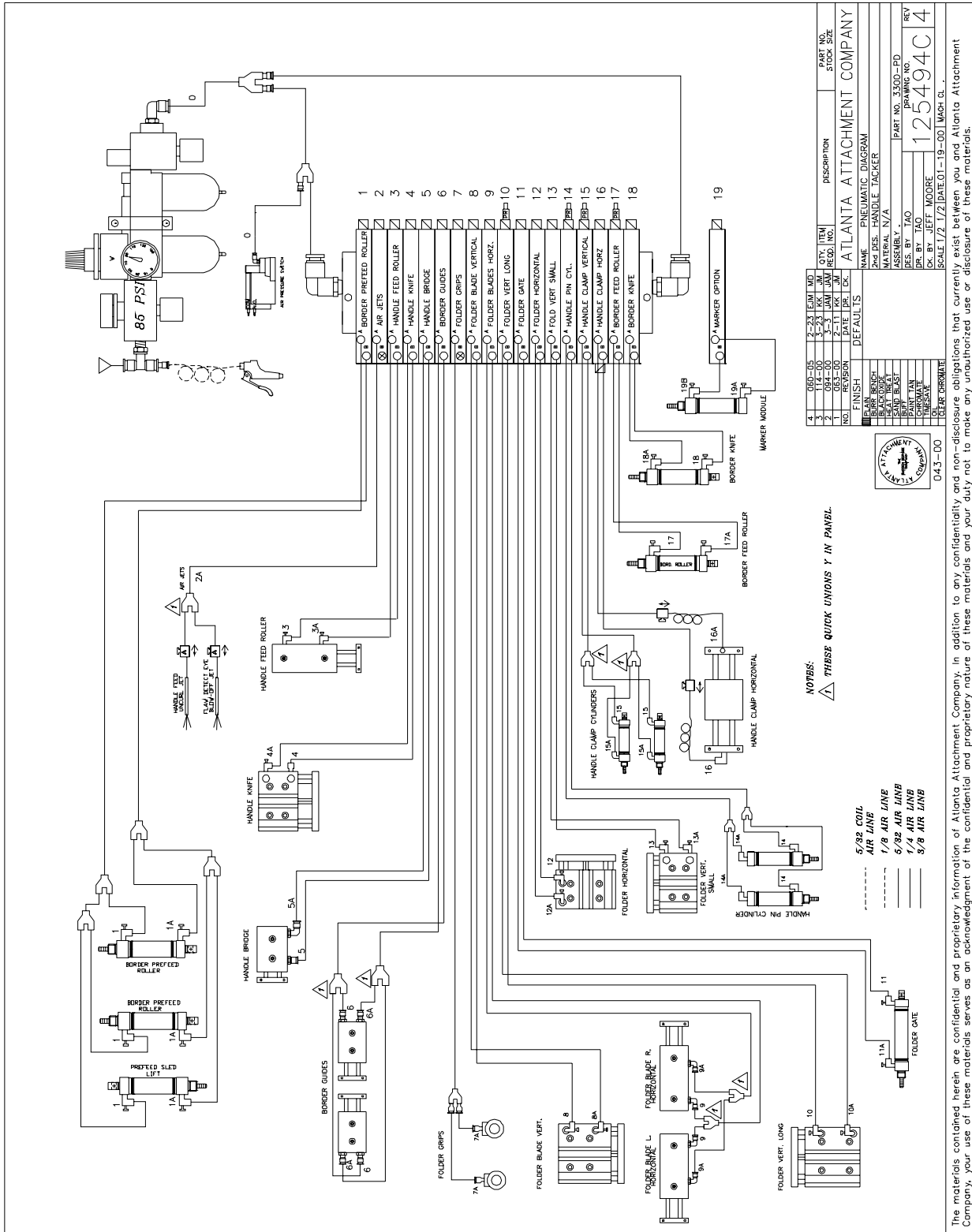
3300016



3300017



# 3300-PD Pneumatic Diagram



The materials contained herein are confidential and proprietary information of Atlanta Attachment Company. In addition to any confidentiality and non-disclosure obligations that currently exist between you and Atlanta Attachment Company, your use of these materials serves as an acknowledgment of the confidential and proprietary nature of these materials and your duty not to make any unauthorized use or disclosure of these materials.







# **Atlanta Attachment Company (AAC)**

## **Statement of Warranty**

### **Manufactured Products**

Atlanta Attachment Company warrants manufactured products to be free from defects in material and workmanship for a period of eight hundred (800) hours of operation or one hundred (100) days which ever comes first. Atlanta Attachment Company warrants all electrical components of the Serial Bus System to be free from defects in material or workmanship for a period of thirty six (36) months.

### **Terms and Conditions:**

- AAC Limited Warranty becomes effective on the date of shipment.
- AAC Warranty claims may be made by telephone, letter, fax or e-mail. All verbal claims must be confirmed in writing.
- AAC reserves the right to require the return of all claimed defective parts with a completed warranty claim form.
- AAC will, at its option, repair or replace the defective machine and parts upon return to AAC.
- AAC reserves the right to make the final decision on all warranty coverage questions.
- AAC warranty periods as stated are for eight hundred (800) hours or one hundred (100) days which ever comes first.
- AAC guarantees satisfactory operation of the machines on the basis of generally accepted industry standards, contingent upon proper application, installation and maintenance.
- AAC Limited Warranty may not be changed or modified and is not subject to any other warranty expressed or implied by any other agent, dealer, or distributor unless approved in writing by AAC in advance of any claim being filed.

### **What Is Covered**

- Electrical components that are not included within the Serial Bus System that fail due to defects in material or workmanship, which are manufactured by AAC are covered for a period of eight hundred (800) hours.
- Mechanical parts or components that fail due to defects in material or workmanship, which are manufactured by AAC.
- Purchased items (sewing heads, motors, etc.) will be covered by the manufacturer's (OEM) warranty.
- AAC will assist in the procurement and handling of the manufacturer's (OEM) claim.

### **What Is Not Covered**

- Parts that fail due to improper usage, lack of proper maintenance, lubrication and/or modification.
- Damages caused by; improper freight handling, accidents, fire and issues resulting from unauthorized service and/or personnel, improper electrical, plumbing connections.
- Normal wear of machine and parts such as Conveyor belts, "O" rings, gauge parts, cutters, needles, etc.
- Machine adjustments related to sewing applications and/or general machine operation.
- Charges for field service.
- Loss of time, potential revenue, and/or profits.
- Personal injury and/or property damage resulting from the operation of this equipment.

# **Atlanta Attachment Company (AAC)**

## **Declaración de Garantía**

### **Productos Manufacturados**

Atlanta Attachment Company garantiza que los productos de fabricación son libre de defectos de material y de mano de obra durante un periodo de ochocientos (800) horas de operación o cien (100) días cual llega primero. Atlanta Attachment Company garantiza que todos los componentes del bus serie son libre de defectos de material y de mano de obra durante un periodo de treinta y seis (36) meses.

### **Términos y Condiciones:**

- La Garantía Limitada de AAC entra en efecto el día de transporte.
- Reclamos de la Garantía de AAC pueden ser realizados por teléfono, carta, fax o correo electrónico. Todo reclamo verbal tiene que ser confirmado via escrito.
- AAC reserva el derecho para exigir el retorno de cada pieza defectuosa con un formulario de reclamo de garantía.
- AAC va, según su criterio, reparar o reemplazar la máquina o pieza defectuosa devuelto para AAC.
- AAC reserva el derecho para tomar la decisión final sobre toda cuestión de garantía.
- Las garantías de AAC tiene un validez de ochocientos (800) horas o cien (100) días cual llega primero.
- AAC garantiza operación satisfactoria de sus máquinas en base de las normas aceptadas de la industria contingente en la instalación y mantenimiento adecuada.
- La garantía de AAC no puede ser cambiado o modificado y no está sujeto a cualquier otra garantía implicado por otro agente o distribuidor menos que sea autorizado por AAC antes de cualquier reclamo.

### **Lo Que Está Garantizado**

- Componentes eléctricos que no está incluidos dentro del sistema Bus Serie que han sido manufacturados por AAC son garantizados por un periodo de ochocientos (800) horas.
- Mechanical parts or components that fail due to defects in material or workmanship, which are manufactured by AAC.
- Componentes comprados (Motores, Cabezales, ) son protegidos debajo de la garantía del fabricante.
- AAC asistirá con el manejo de todo reclamo de garantía bajo la garantía del fabricante.

### **Lo Que No Está Garantizado**

- Falla de repuestos al raíz de uso incorrecto, falta de mantenimiento, lubricación o modificación.
- Daños ocurridos al raíz de mal transporte, accidentes, incendio o cualquier daño al resultado de servicio por personas no autorizados o instalaciones incorrectas de conexiones eléctricas o neumáticas.
- Desgaste normal de repuestos como correas, anillos de goma, cuchillos, agujas, etc.
- Ajustes de la máquina en relación a las aplicaciones de costura y/o la operación en general de la máquina.
- Gastos de reparaciones en el campo.
- Pérdida de tiempo, ingresos potenciales, y/o ganancias.
- Daños personales y/o daños al propiedad al resultado de la operación de este equipo.

© 2005 Atlanta Attachment Company. All rights reserved.

© 2005 Atlanta Attachment Company. Derechos reservados.