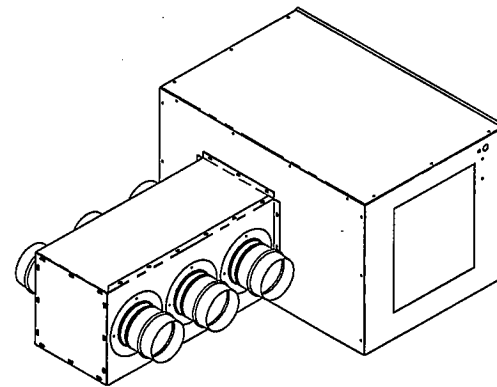
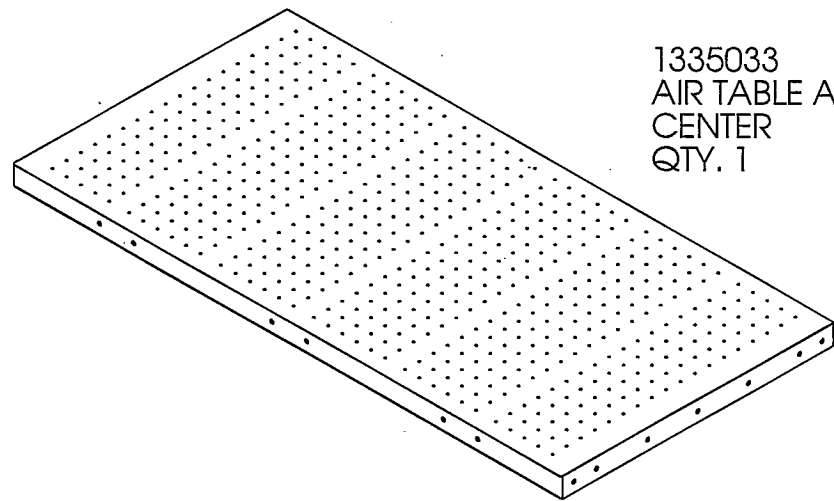


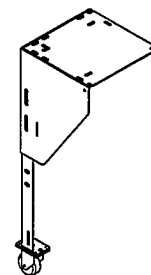
1335020
AIR TABLE ASSEMBLY,
LEFT AND RIGHT
QTY. 2



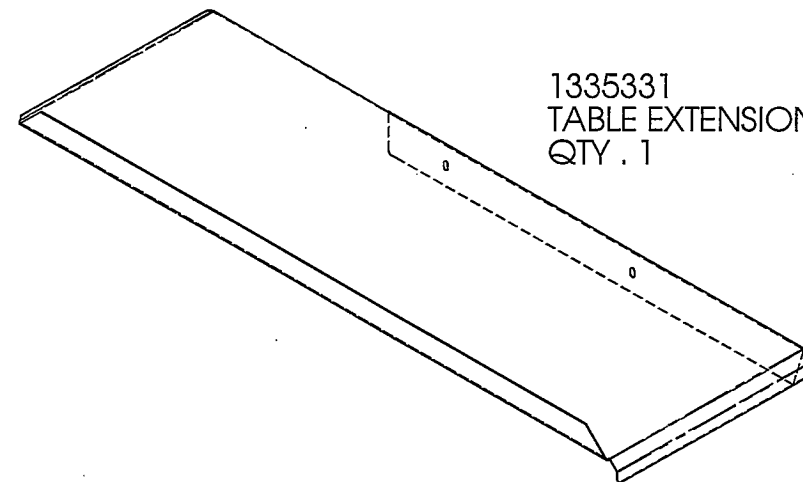
1335S-0190
BLOWER BOX ASSEMBLY
QTY. 1



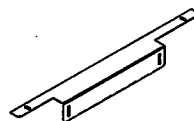
1335033
AIR TABLE ASSEMBLY,
CENTER
QTY. 1



1335050
LEG ASSEMBLY
QTY. 8



1335331
TABLE EXTENSION
QTY. 1

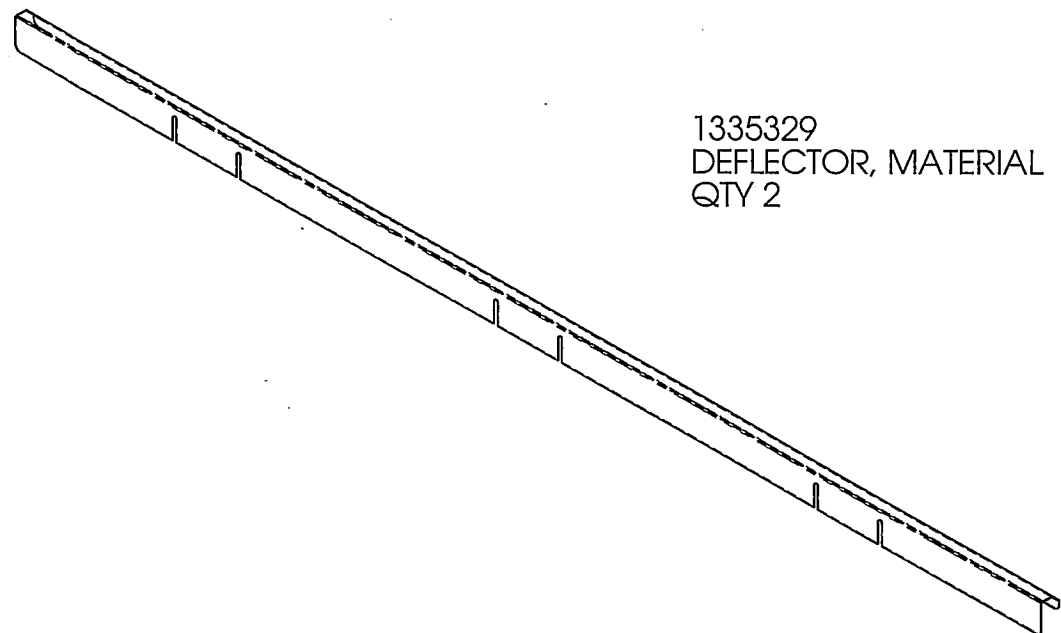


1335250
CONSOLE MOUNT
QTY. 1



NO.	REVISION	DATE	DR.	CK.	QTY.	ITEM	DESCRIPTION	PART NO.
					REQD. <td>NO. <td></td> <td>STOCK SIZE</td> </td>	NO. <td></td> <td>STOCK SIZE</td>		STOCK SIZE
	FINISH	DEFAULTS					ATLANTA ATTACHMENT COMPANY	
	X PLAIN/CLEAN						NAME	PARTS LIST
	BUFF/BENCH						2nd DES.	1335001 AIR TABLE
	BLACKOXIDE						MATERIAL	AS NOTED
	HEAT TREAT						ASSEMBLY	1335001
	SAND BLAST						PART NO.	1335001INS1
	PLP						DES. BY	
	PAINT						DR. BY	
	CLEAR CHROMATE						CK. BY	
	TREXAVE						SCALE	1:15
	CIL						DATE	09-16-03
	WELD						DWG. SIZE	C
							REV	0
							DRAWING NO.	1335001INS1
							WEIGHT	156.764811

The materials contained herein are confidential and proprietary information of Atlanta Attachment Company. In addition to any confidentiality and non-disclosure obligations that currently exist between you and Atlanta Attachment Company, your use of these materials serves as an acknowledgment of the confidential and proprietary nature of these materials and your duty not to make any unauthorized use or disclosure of these materials.



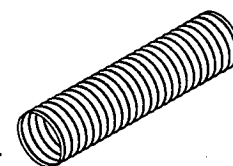
1335329
DEFLECTOR, MATERIAL
QTY 2



1335-180
SPACER, TABLE
QTY 4



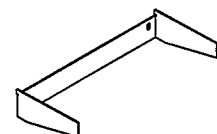
MMATT06
TAKE OFF FLANGE
QTY 6



MM5501K35
FLEX AIR DUCT
QTY 50'; CUT TO:
2@5', 2@6', 2@10'



MM5415K39
HOSE CLAMP
QTY 12



1335-0168C
EXTENSION SUPPORT
QTY 1



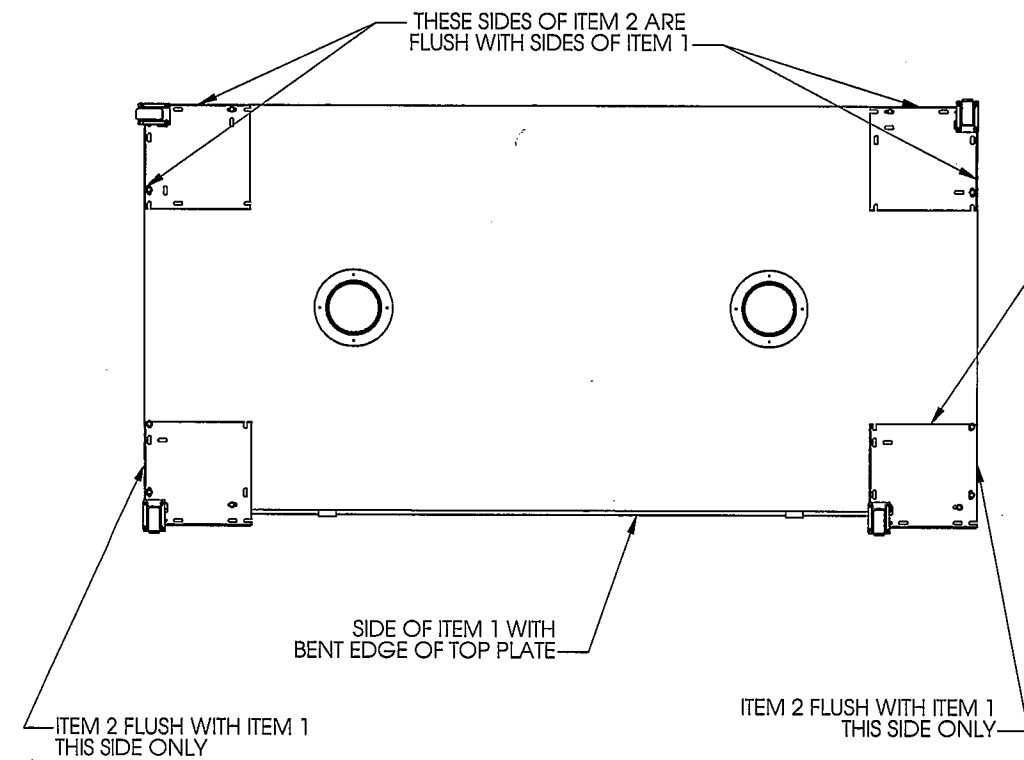
1335075
HARDWARE BAG
QTY 1



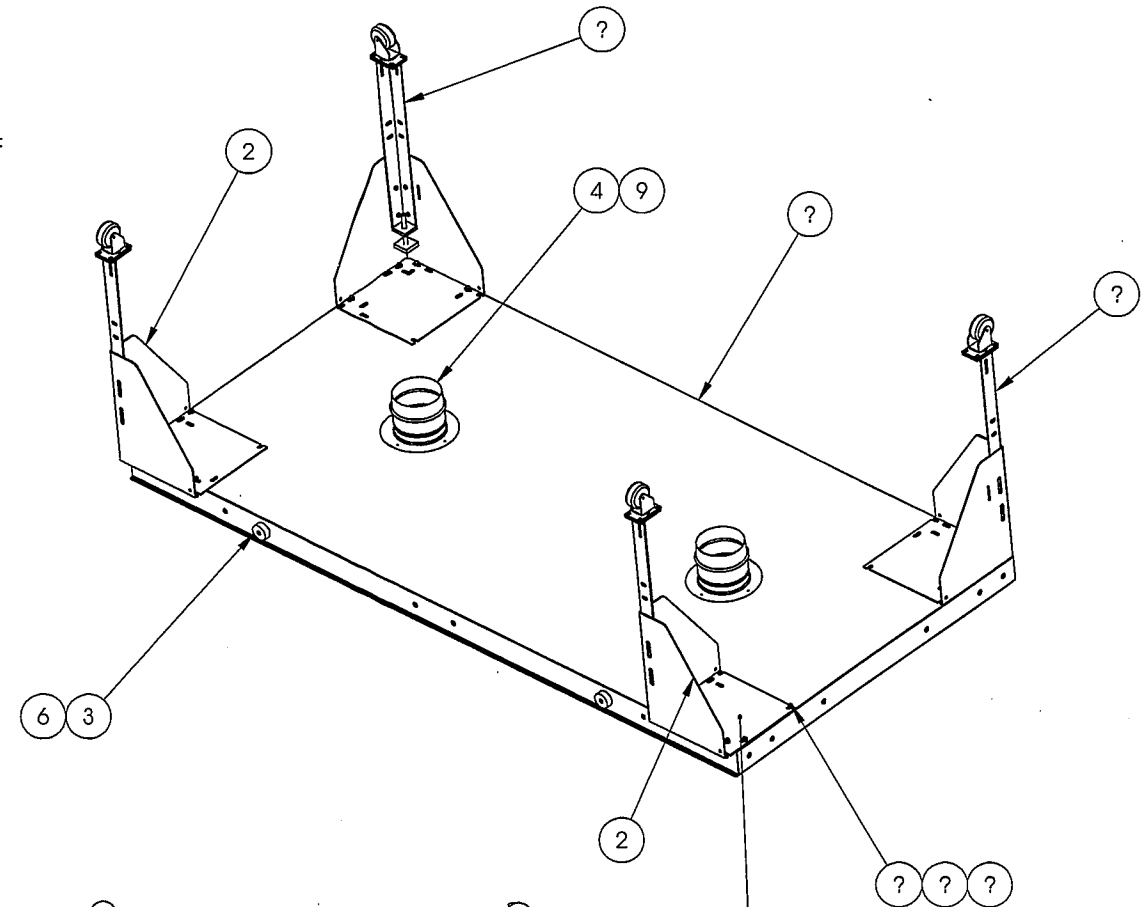
NO.	REVISION	DATE	DR.	CK.	QTY.	ITEM REGD. NO.	DESCRIPTION	PART NO. STOCK SIZE
FINISH					ATLANTA ATTACHMENT COMPANY			
DEFAULTS					PARTS LIST			
X1 PLAIN/CLEAN					NAME			
BURN BENCH					2nd DES. 1335001 AIR TABLE ASSEMBLY			
BLACKOXIDE					MATERIAL AS NOTED			
HEAT TREAT					ASSEMBLY 1335001			
SAND BLAST					PART NO. 1335001INS2			
BLUE					DES. BY SSR			
PAINT					DRAWING NO.			
CLEAR CHROMATE					DR. BY S. Ruderman			
TRIMSAVE					1335001INS2			
CPL					CK. BY			
WELD					SCALE 1:8			
					DATE: 09-16-03			
					DWG. SIZE: C WEIGHT			
					REV 0			

The materials contained herein are confidential and proprietary information of Atlanta Attachment Company. In addition to any confidentiality and non-disclosure obligations that currently exist between you and Atlanta Attachment Company, your use of these materials serves as an acknowledgment of the confidential and proprietary nature of these materials and your duty not to make any unauthorized use or disclosure of these materials.

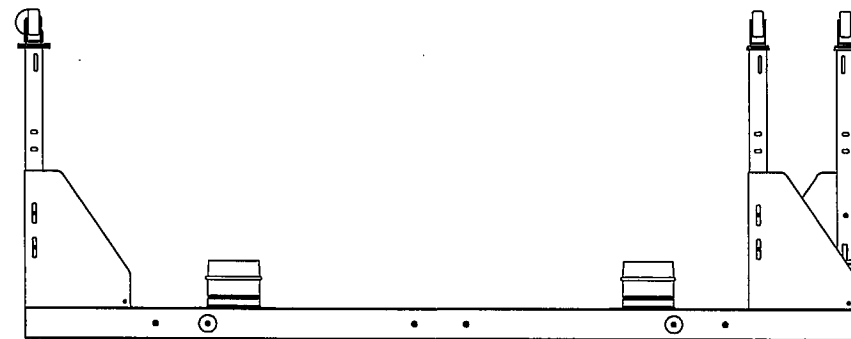
ITEM	QTY.	PART NO.	DESCRIPTION
1	1	1335020	AIR TABLE, LEFT
2	4	1335050	LEG ASSEMBLY
3	2	1335-180	SPACER, AIR TABLE
4	2	MMATT06	TAKE OFF, 6"
5	16	SSHC01048	1/4-20 X 3/4 HEX HEAD
6	2	SSSC10064	5/16-18 X 1" LG SHCS
7	16	WWFS1/4	WASHER FLAT, 1/4
8	16	WWL1/4	1/4 LW
9	8	SSZS93032	SHEET METAL SCREW



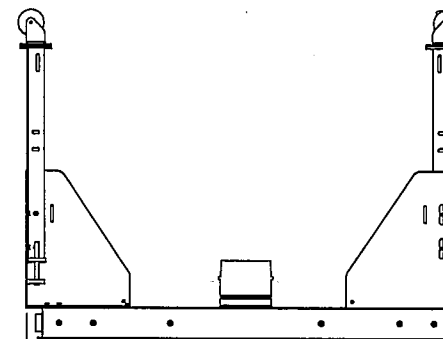
NOTE ORIENTATION OF THIS LEG ASSEMBLY



NOTE ORIENTATION OF THIS LEG ASSEMBLY



1.875
2 PL. THIS SIDE ONLY

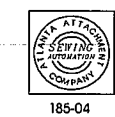
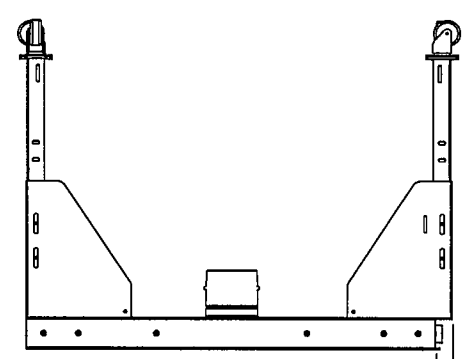
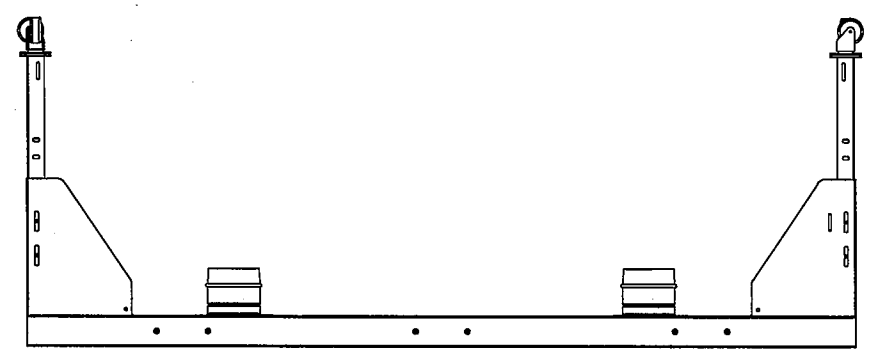
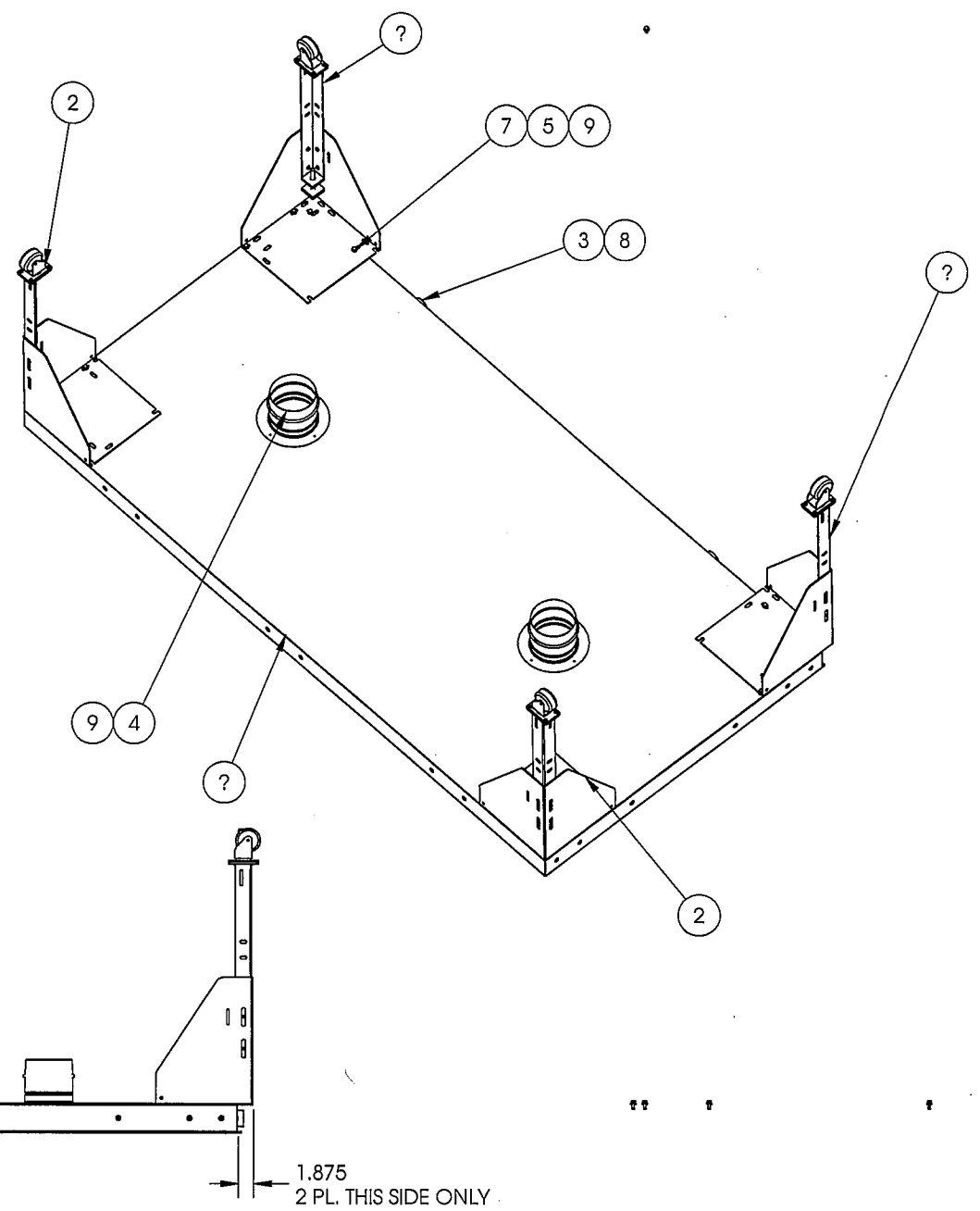
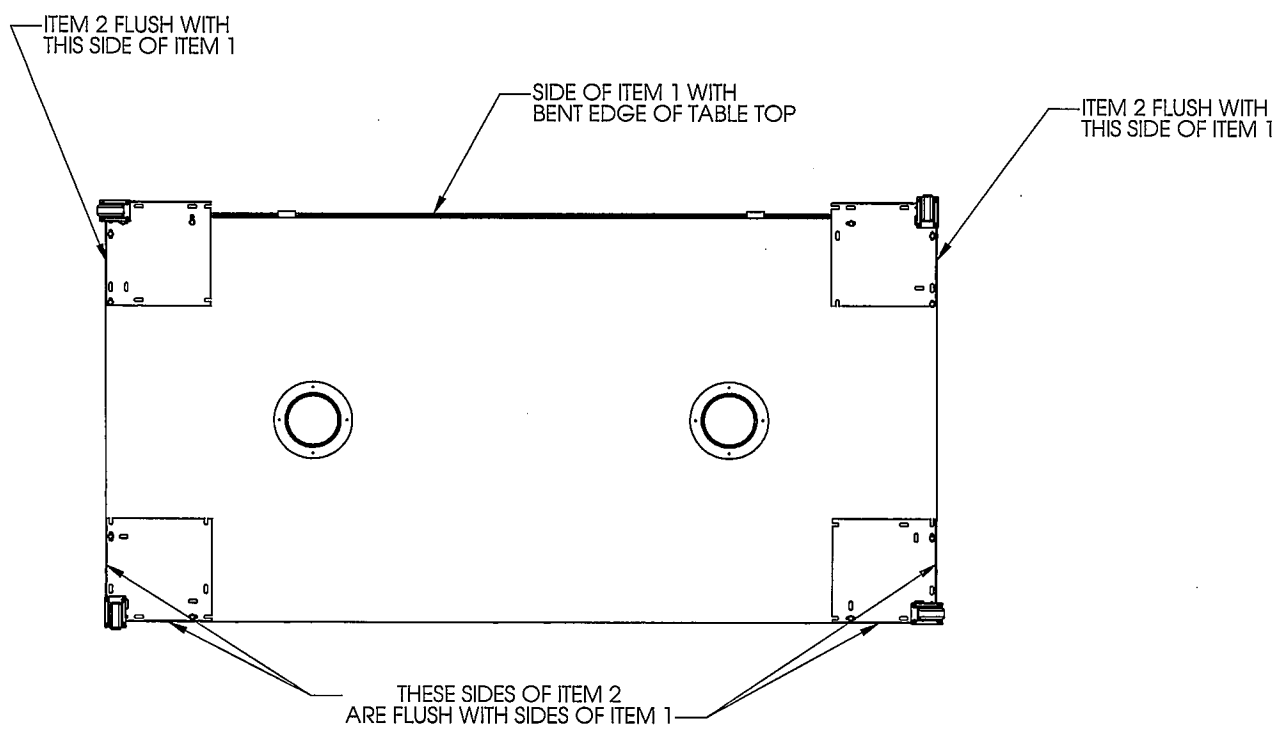


185-04

NO.	REVISION	DATE	DR.	CHK.	QTY. REQD.	ITEM NO.	DESCRIPTION	PART NO. STOCK SIZE
FINISH					ATLANTA ATTACHMENT COMPANY			
DEFAULTS					NAME AIR TABLE ASSEMBLY, LEFT			
DRAIN/CLEAN					2nd DES. 11335MDC-SUATT			
BURR/BENCH					MATERIAL AS NOTED			
BLACKOXIDE					ASSEMBLY			
HEAT TREAT					PART NO. 1335001INS3			
SAND BLAST					DES. BY SSR			
BUFF					DRAWING NO. 1335001INS3			
PAINT					DR. BY S. Ruderman			
CLEAR CHROMATE					CK. BY -			
TEMPRAVE					SCALE 1:14			
OIL					DATE 7/28/2004			
ERROR IF WELD					DWG. SIZE. C. WEIGHT 249.773649			

The materials contained herein are confidential and proprietary information of Atlanta Attachment Company. In addition to any confidentiality and non-disclosure obligations that currently exist between you and Atlanta Attachment Company, your use of these materials serves as an acknowledgment of the confidential and proprietary nature of these materials and your duty not to make any unauthorized use or disclosure of these materials.

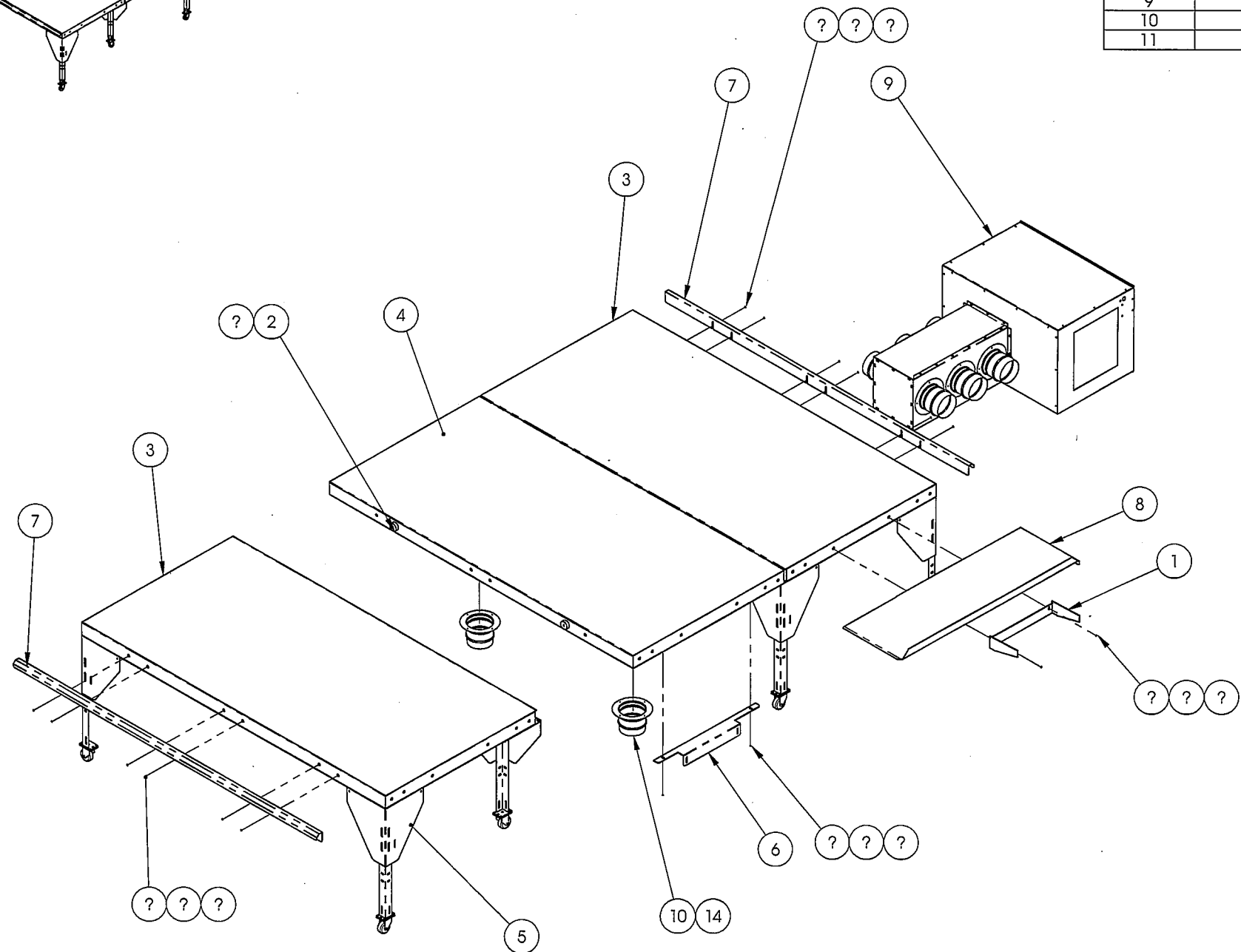
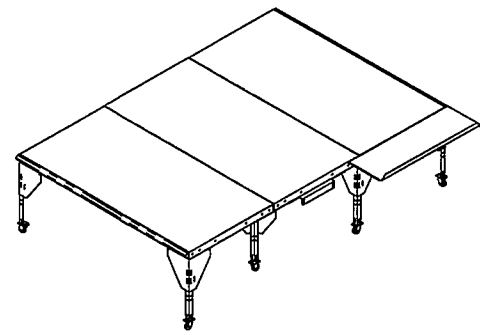
ITEM	QTY.	PART NO.	DESCRIPTION
1	1	1335020	AIR TABLE, LEFT
2	4	1335050	LEG ASSEMBLY
3	2	1335-180	SPACER, AIR TABLE
4	2	MMATT06	TAKE OFF, 6" **
5	32	WWL1/4	1/4 LW
6	16	WWFS1/4	WASHER FLAT, 1/4
7	32	SSHCO1048	1/4-20 X 3/4 HEX HEAD
8	2	SSSC10064	5/16-18 X 1" LG SHCS
9	8	SSZS93032	SHEET METAL SCREW
9	16	WWFS1/4	1/4 FW



NO.	REVISION	DATE	DR.	CHK.
	FINISH			
	PLAIN/CLEAN			
	RUFF/BENCH			
	BLACK/OXIDE			
	HEAT TREAT			
	SAND BLAST			
	BLUFF			
	PAIN			
	CLEAR/CHROMATE			
	THREAVE			
	OR			

QTY. REQD.	ITEM NO.	DESCRIPTION	PART NO. STOCK SIZE
ATLANTA ATTACHMENT COMPANY			
NAME AIR TABLE ASSEMBLY, RIGHT			
2nd DES. 11335MDC-SUATT			
MATERIAL AS NOTED			
ASSEMBLY		PART NO. 1335001ins4	
DES. BY SSR		DRAWING NO. 1335001ins4	
DR. BY S. Ruderman		REV	
CHK. BY -		SCALE 1:14	
DATE 7/28/2004		DWG. SIZE: C WEIGHT 249.826597	

The materials contained herein are confidential and proprietary information of Atlanta Attachment Company. In addition to any confidentiality and non-disclosure obligations that currently exist between you and Atlanta Attachment Company, your use of these materials serves as an acknowledgment of the confidential and proprietary nature of these materials and your duty not to make any unauthorized use or disclosure of these materials.



ITEM NO.	Default/QTY.	PART NUMBER	DESCRIPTION
1	1	1335-0168C	SHELF SUPPORT
2	4	1335-180	SPACER, AIR TABLE
3	2	1335020	AIR TABLE, LEFT
4	1	1335033	AIR TABLE ASSY, CENTER
5	8	1335050	LEG ASSEMBLY
6	1	1335250	MOUNT, AIR TABLE
7	2	1335329	DEFLECTER, MATERIAL
8	1	1335331	EXTENSION, TABLE, 18"
9	1	1335S-0190	BLOWER BOX ASSY
10	6	MMATT06	TAKE OFF, 6"
11	24	SSZS93032	SCREW, SHEET METAL



NO.	REVISION	DATE	DR.	CHK.
	FINISH			
	PLAIN/CLEAN			
	BLUFF BENCH			
	BLACK OXIDE			
	HEAT TREAT			
	SAND BLAST			
	BLUFF			
	PAINT			
	CLEAR CHROMATE			
	TINER SAVE			
	OIL			
	Other			

QTY. RECD.	ITEM NO.	DESCRIPTION	PART NO. STOCK SIZE
ATLANTA ATTACHMENT COMPANY			
NAME AIR TABLE ASSY.			
2nd DES. 11335MDC-SUATT			
MATERIAL AS NOTED			
ASSEMBLY		PART NO. 1335001ins5	
DES. BY SSR	DRAWING NO.		REV
DR. BY MATT DASHER	1335001ins5		
CK. BY -			
SCALE 1:48	DATE 7/28/2004	DWG. SIZE	WEIGHT 820.636087

The materials contained herein are confidential and proprietary information of Atlanta Attachment Company. In addition to any confidentiality and non-disclosure obligations that currently exist between you and Atlanta Attachment Company, your use of these materials serves as an acknowledgment of the confidential and proprietary nature of these materials and your duty not to make any unauthorized use or disclosure of these materials.