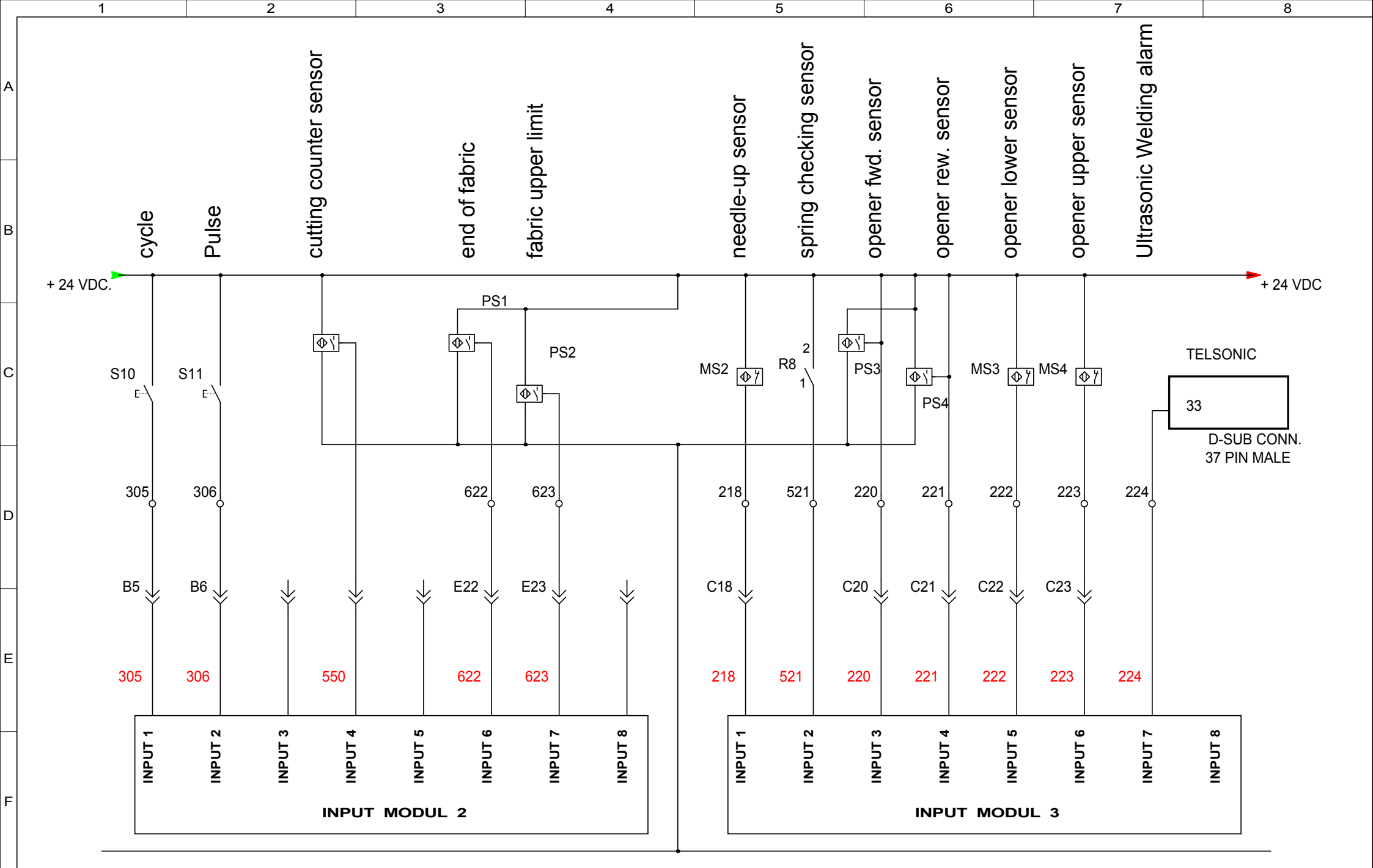
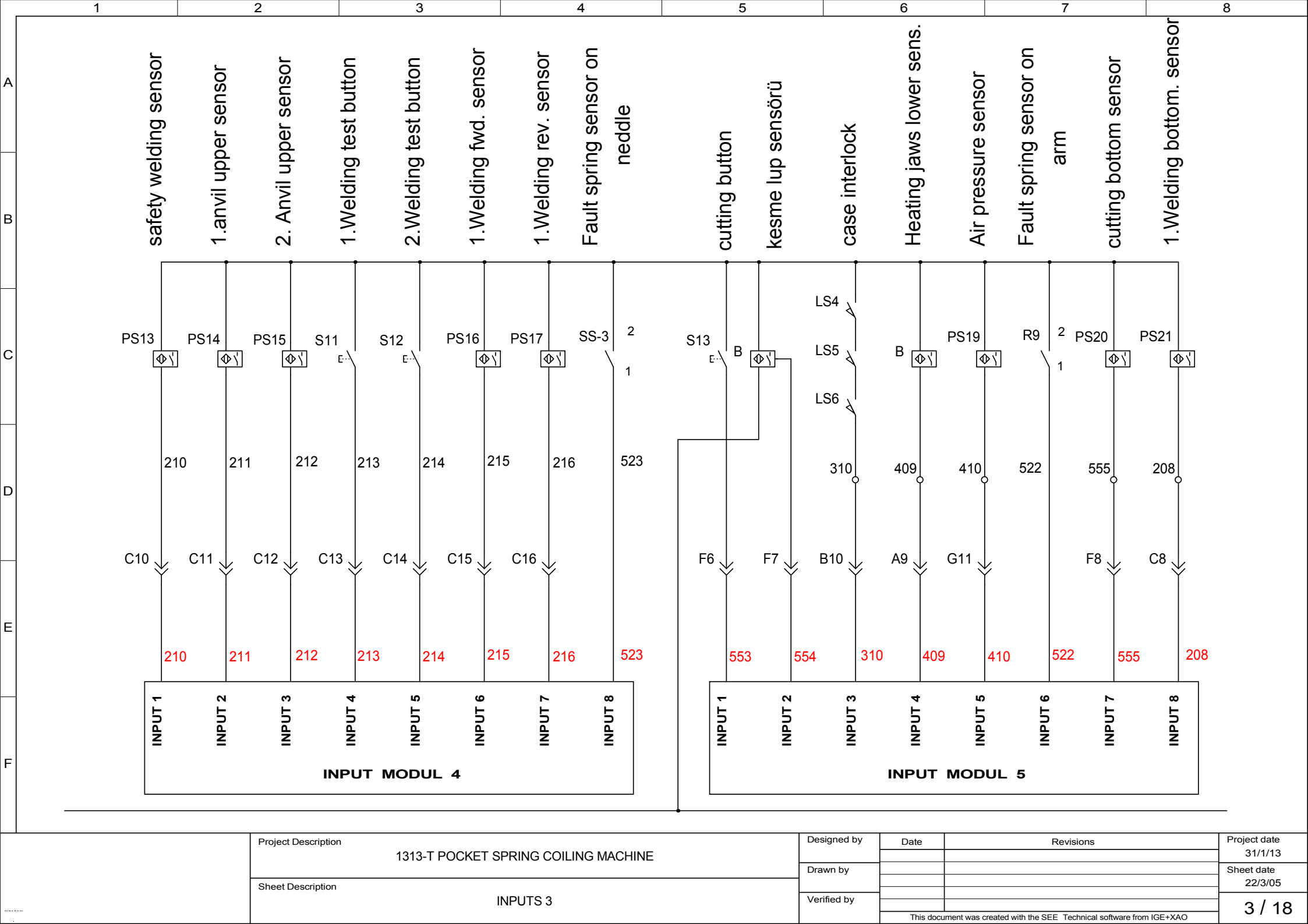


| | |
|---------------------|--------------------------------------|
| Project Description | 1313-T POCKET SPRING COILING MACHINE |
| Sheet Description | INPUTS 1 |

| | | | |
|--|------|-----------|--------------|
| Designed by | Date | Revisions | Project date |
| Drawn by | | | 31/1/13 |
| Verified by | | | Sheet date |
| | | | 22/3/05 |
| This document was created with the SEE Technical software from IGE+XAO | | | 1 / 18 |

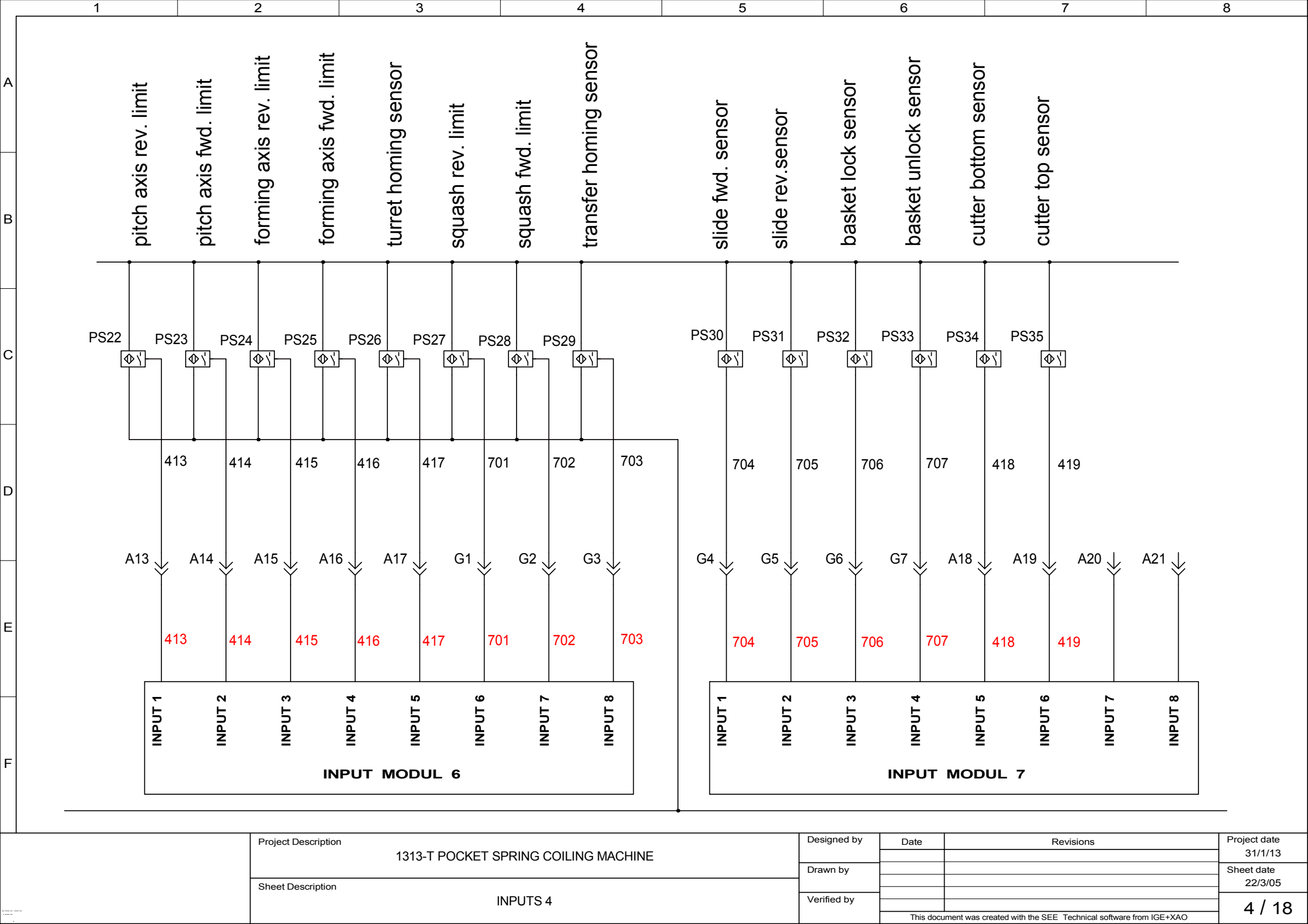


| | | | | | | | |
|--|--------------------------------------|--|-------------|-------------|------|-----------|--------------|
| Project Description | 1313-T POCKET SPRING COILING MACHINE | | | Designed by | Date | Revisions | Project date |
| | Sheet Description | | | INPUTS 2 | | | 31/1/13 |
| | | | | Drawn by | | | 22/3/05 |
| | | | Verified by | | | | 2 / 18 |
| This document was created with the SEE Technical software from IGE+XAO | | | | | | | |

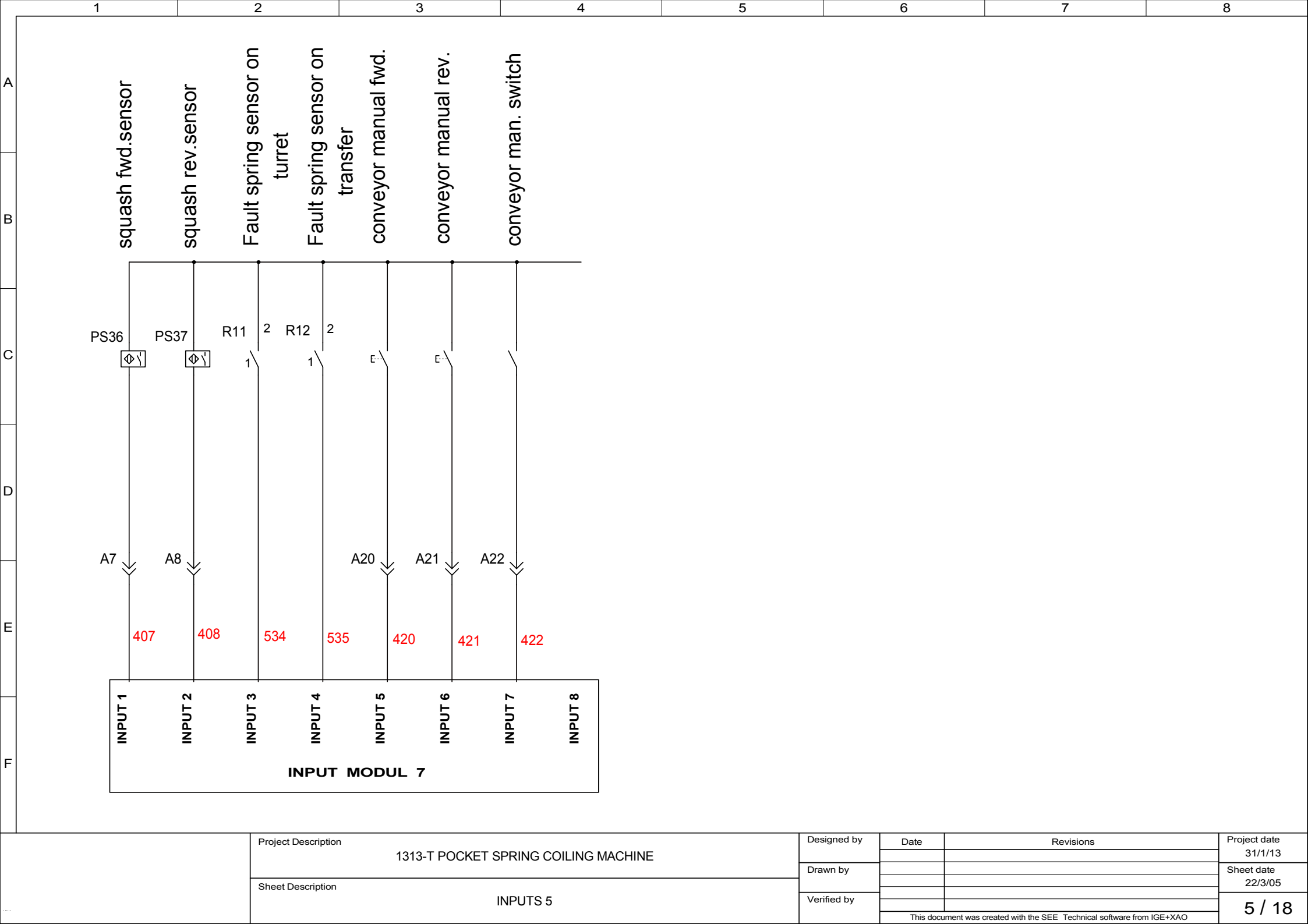


| | | | |
|---------------------|--------------------------------------|--|--|
| Project Description | 1313-T POCKET SPRING COILING MACHINE | | |
| Sheet Description | INPUTS 3 | | |

| | | | | |
|--|----------|-----------|--|--------------|
| Designed by | Date | Revisions | | Project date |
| | | | | 31/1/13 |
| | Drawn by | | | Sheet date |
| Verified by | | | | 22/3/05 |
| This document was created with the SEE Technical software from IGE+XAO | | | | 3 / 18 |

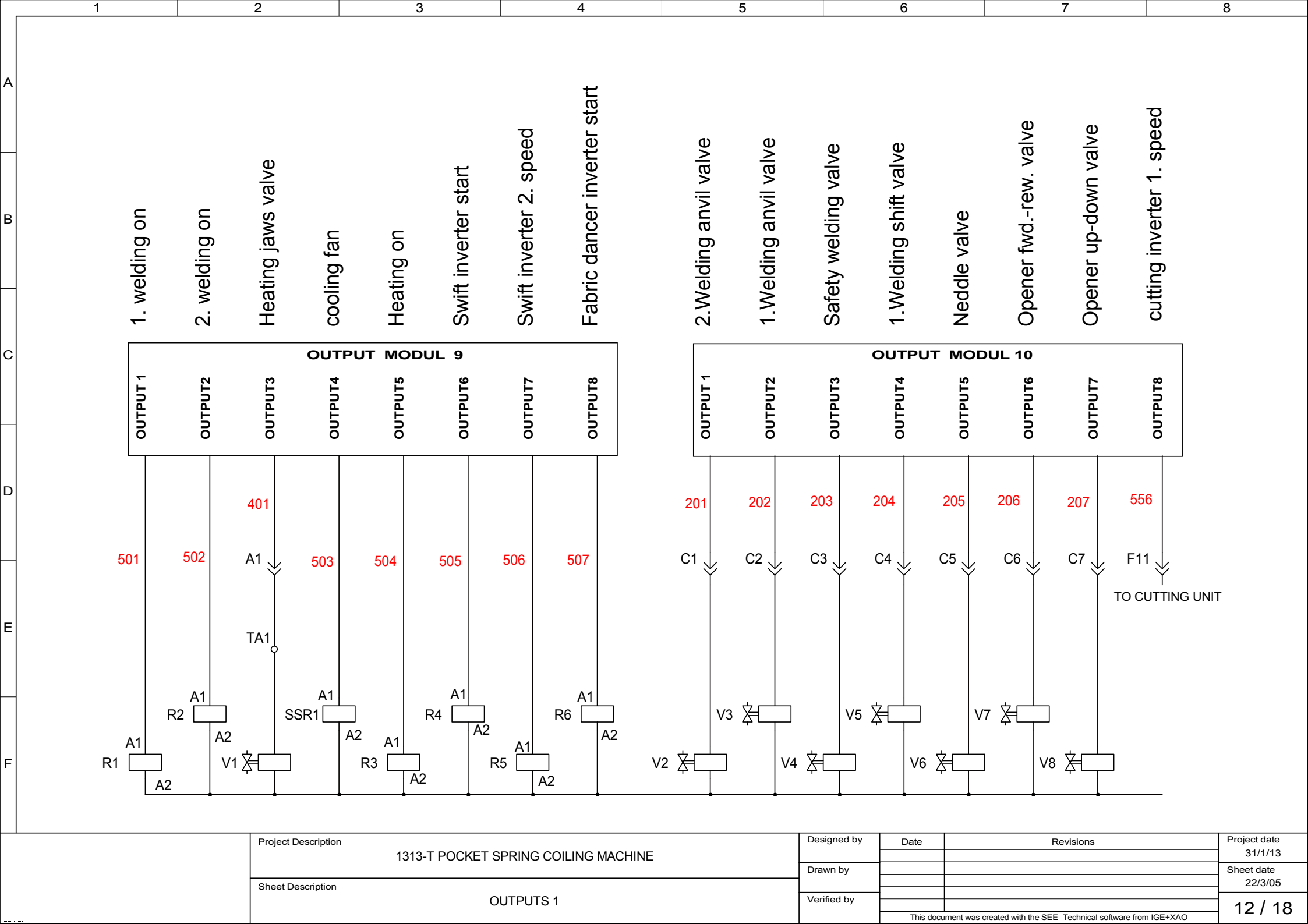


| | | | | | | | |
|--|--------------------------------------|----------|--|-------------|------|-----------|-------------------------|
| Project Description | 1313-T POCKET SPRING COILING MACHINE | | | Designed by | Date | Revisions | Project date 31/1/13 |
| | Sheet Description | INPUTS 4 | | Drawn by | | | Sheet date 22/3/05 |
| | | | | Verified by | | | 4 / 18 |
| This document was created with the SEE Technical software from IGE+XAO | | | | | | | |

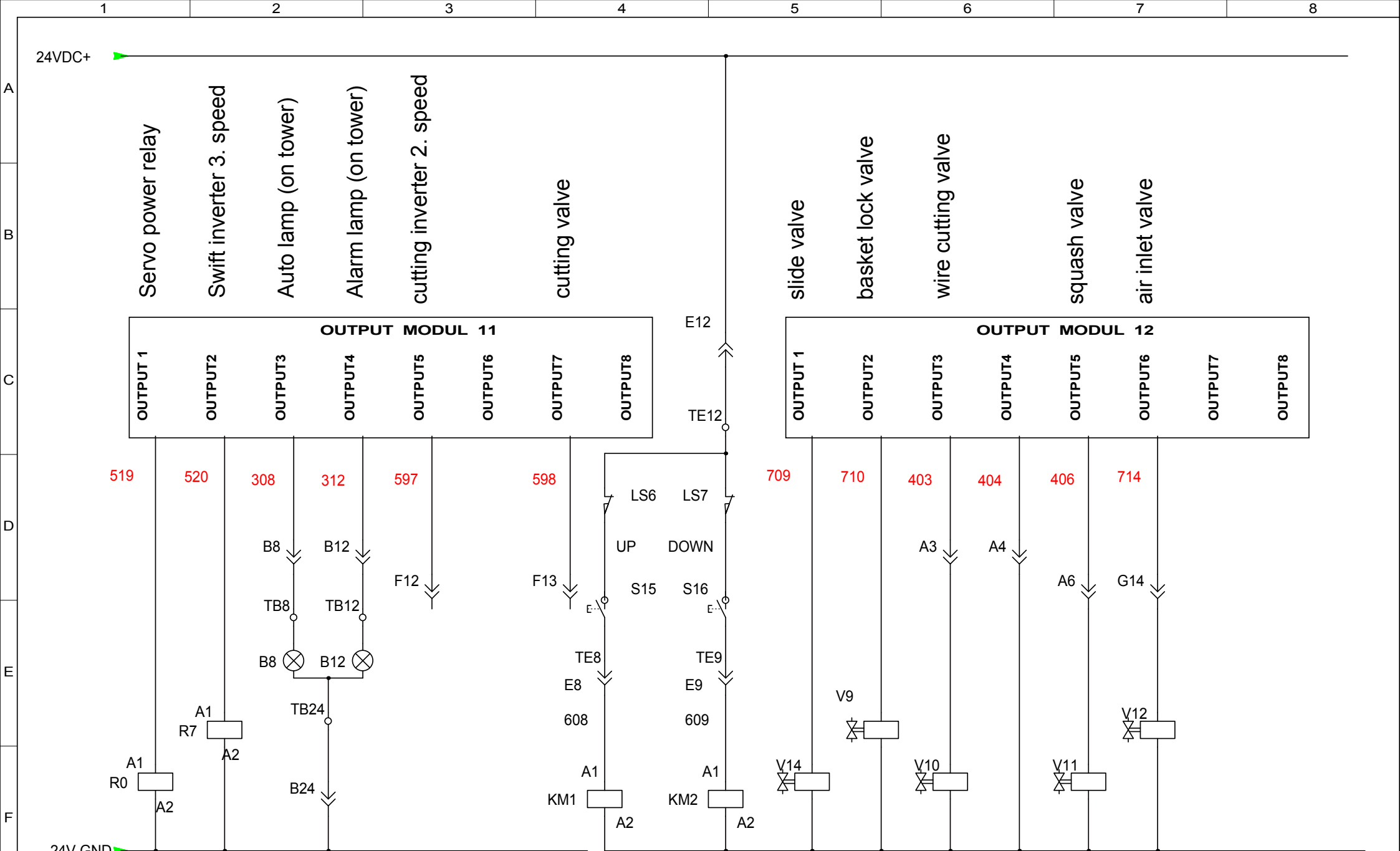


| | | | |
|---------------------|--------------------------------------|--|--|
| Project Description | 1313-T POCKET SPRING COILING MACHINE | | |
| Sheet Description | INPUTS 5 | | |

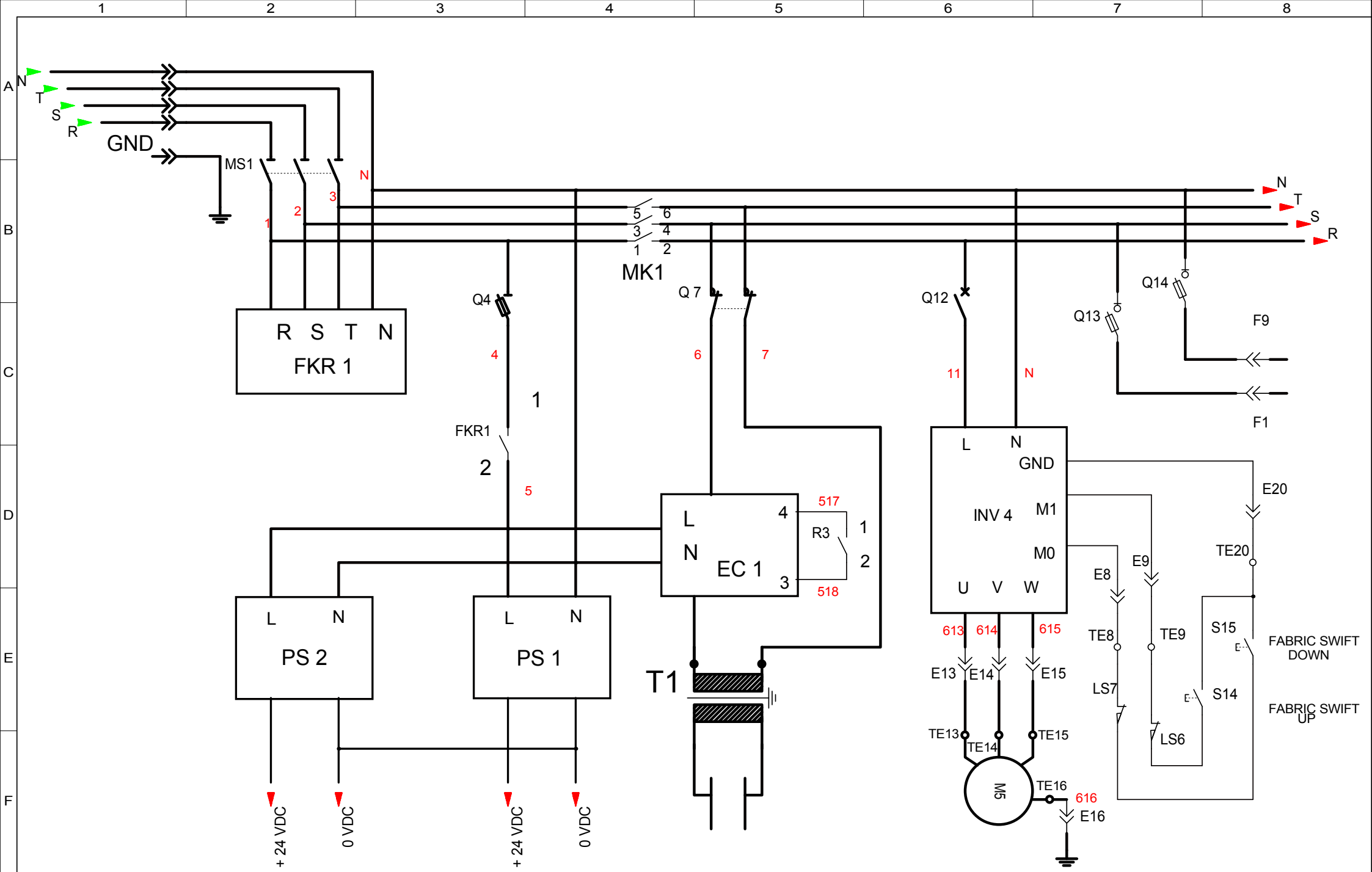
| | | | |
|--|------|-----------|--------------|
| Designed by | Date | Revisions | Project date |
| | | | 31/1/13 |
| Drawn by | | | Sheet date |
| | | | 22/3/05 |
| Verified by | | | 5 / 18 |
| | | | |
| This document was created with the SEE Technical software from IGE+XAO | | | |



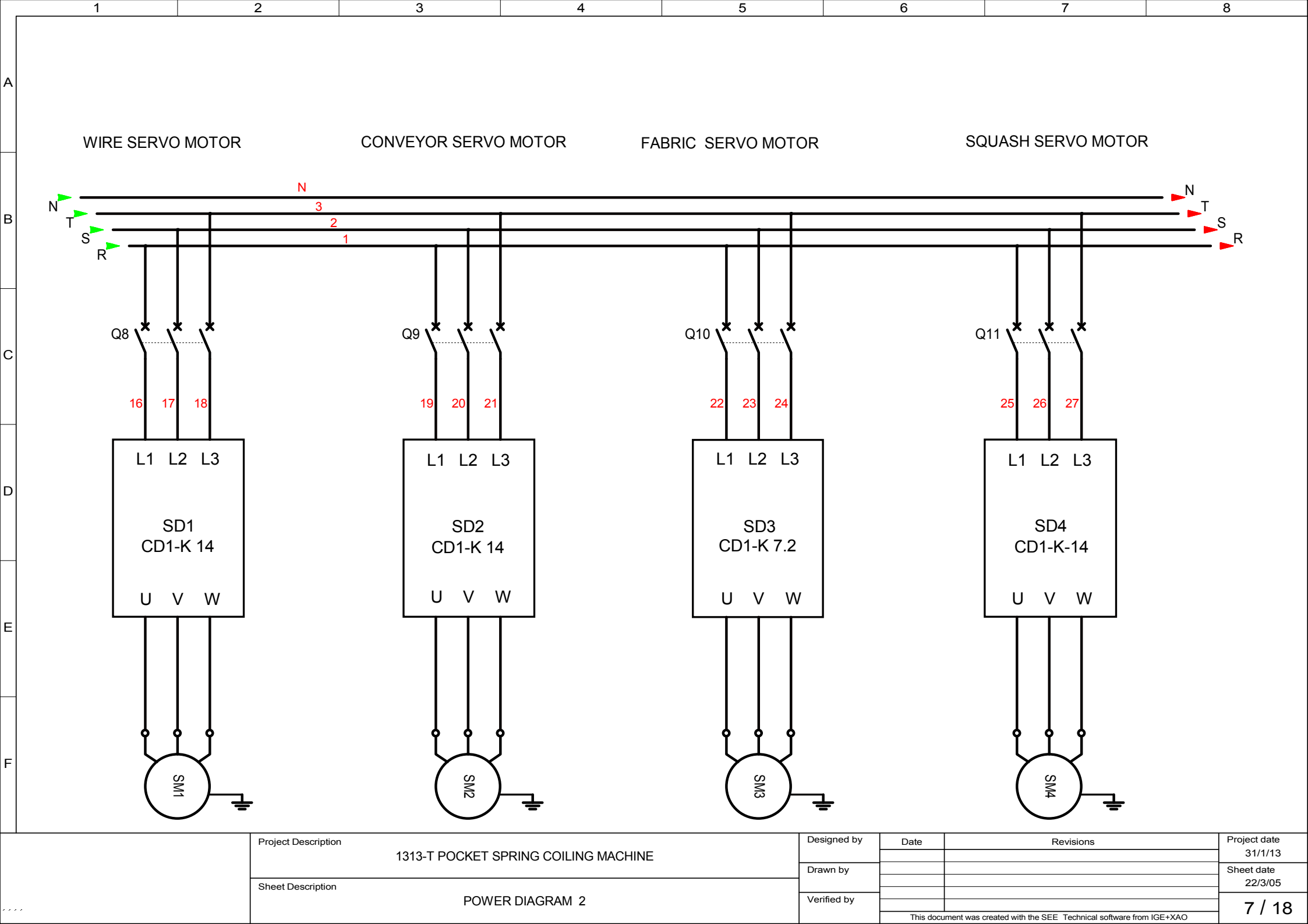
| | | | | | | |
|--|--------------------------------------|-----------|-------------|------|-----------|-------------------------|
| Project Description | 1313-T POCKET SPRING COILING MACHINE | | Designed by | Date | Revisions | Project date 31/1/13 |
| | Sheet Description | OUTPUTS 1 | Drawn by | | | Sheet date 22/3/05 |
| | | | Verified by | | | 12 / 18 |
| This document was created with the SEE Technical software from IGE+XAO | | | | | | |



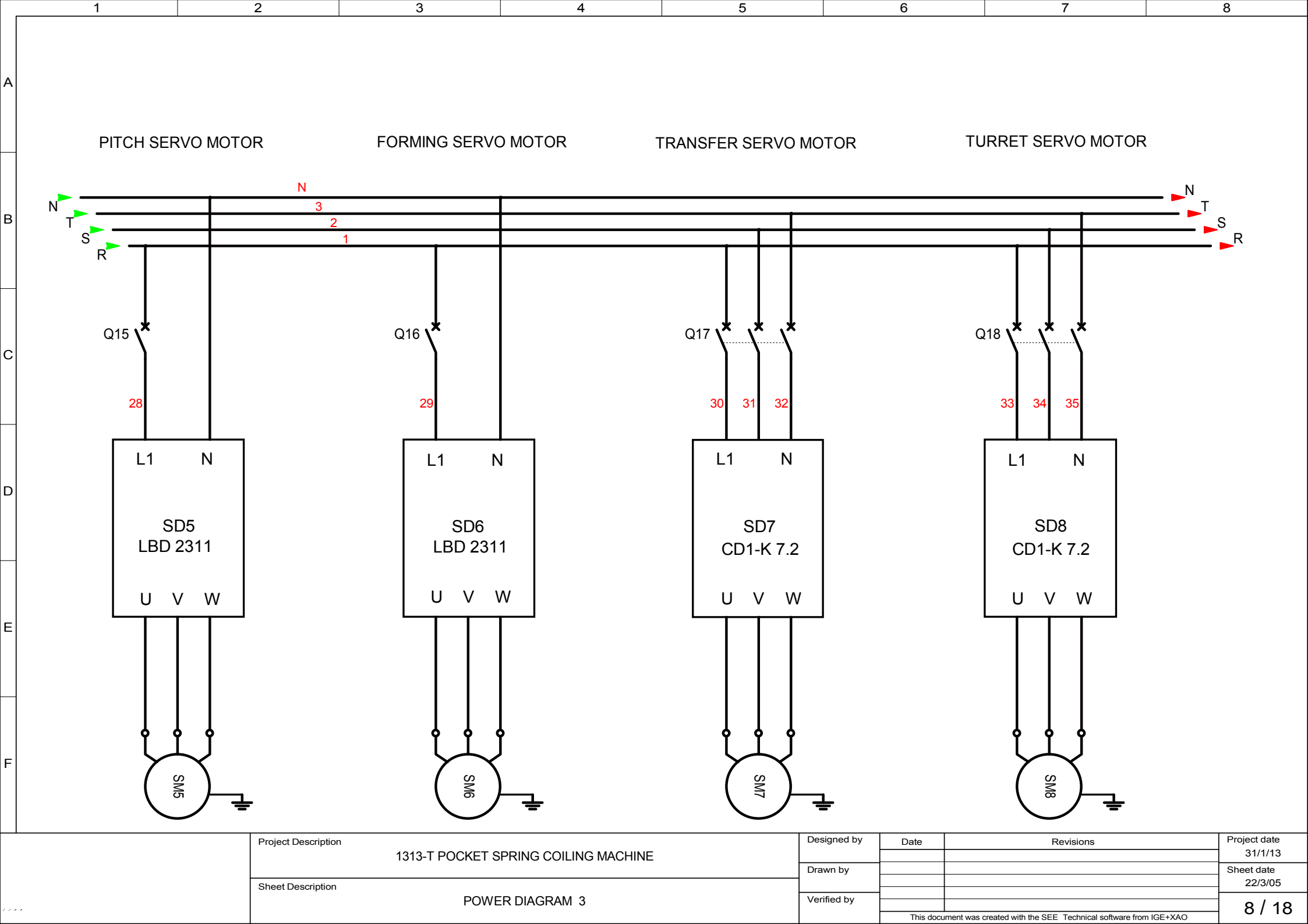
| | | | | | | | |
|--|--------------------------------------|--|-------------|-------------|------|-----------|----------------|
| Project Description | 1313-T POCKET SPRING COILING MACHINE | | | Designed by | Date | Revisions | Project date |
| | Sheet Description | | | OUTPUTS 2 | | | 31/1/13 |
| | | | | Drawn by | | | Sheet date |
| | | | Verified by | | | | 22/3/05 |
| This document was created with the SEE Technical software from IGE+XAO | | | | | | | 13 / 18 |



| | | | | | |
|---------------------|--------------------------------------|-----------|--|--------------|--|
| Project Description | 1313-T POCKET SPRING COILING MACHINE | | | Project date | 31/1/13 |
| | Sheet Description | | | | POWER DIAGRAM 1 |
| Designed by | Date | Revisions | | 6 / 18 | This document was created with the SEE Technical software from IGE+XAO |
| Drawn by | | | | | |
| Verified by | | | | | |



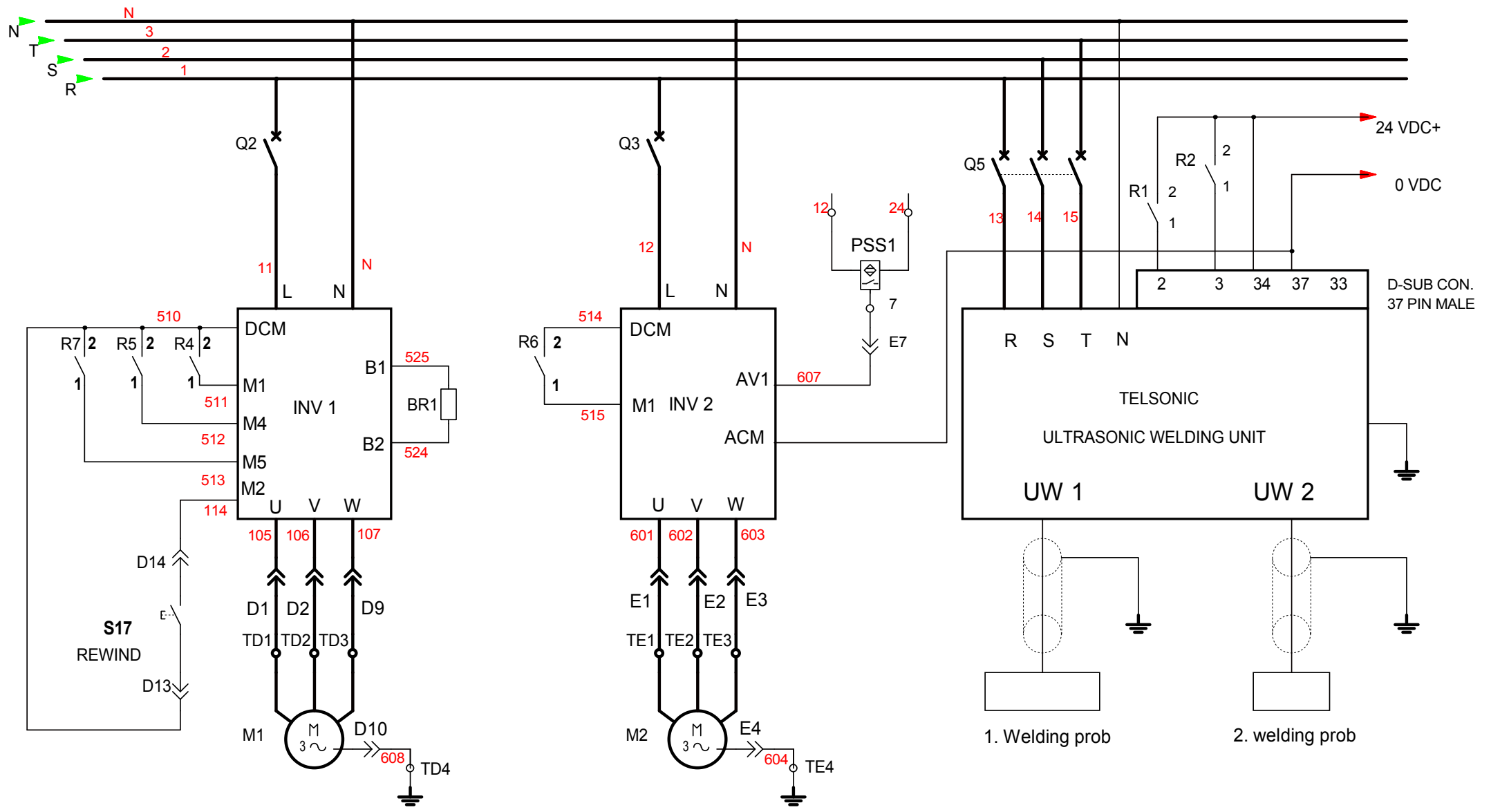
| | | | | | | | |
|--|--------------------------------------|--|-------------|-----------------|------|-----------|--------------|
| Project Description | 1313-T POCKET SPRING COILING MACHINE | | | Designed by | Date | Revisions | Project date |
| | Sheet Description | | | POWER DIAGRAM 2 | | | 31/1/13 |
| | | | | Drawn by | | | Sheet date |
| | | | Verified by | | | | 22/3/05 |
| This document was created with the SEE Technical software from IGE+XAO | | | | | | | 7 / 18 |



| | | | | | | | |
|--|--------------------------------------|-----------------|--|-------------|------|-----------|-------------------------|
| Project Description | 1313-T POCKET SPRING COILING MACHINE | | | Designed by | Date | Revisions | Project date 31/1/13 |
| | Sheet Description | POWER DIAGRAM 3 | | Drawn by | | | Sheet date 22/3/05 |
| | | | | Verified by | | | |
| This document was created with the SEE Technical software from IGE+XAO | | | | | | | |

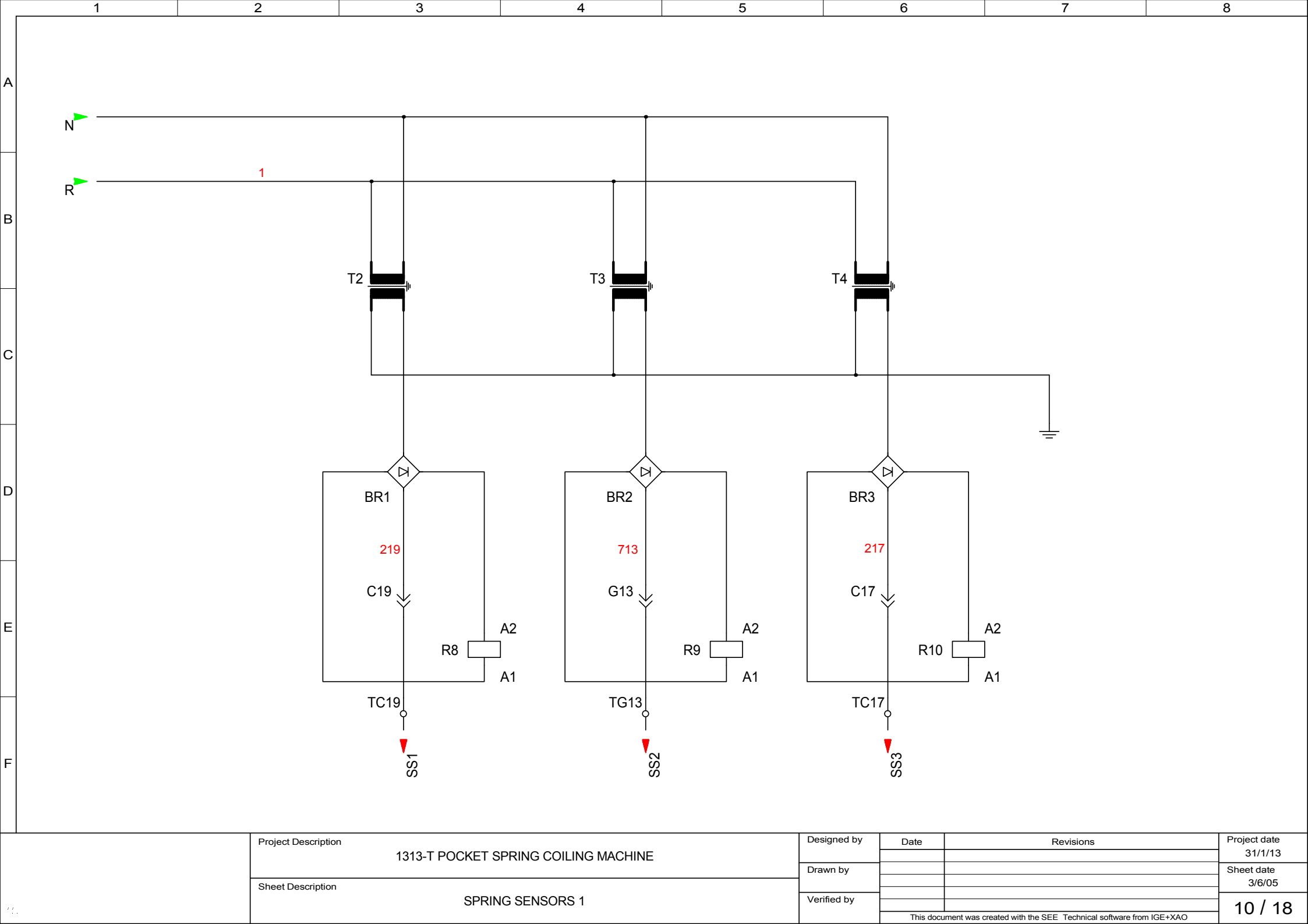
WIRE SWIFT INVERTER

FABRIC SWIFT INVERTER



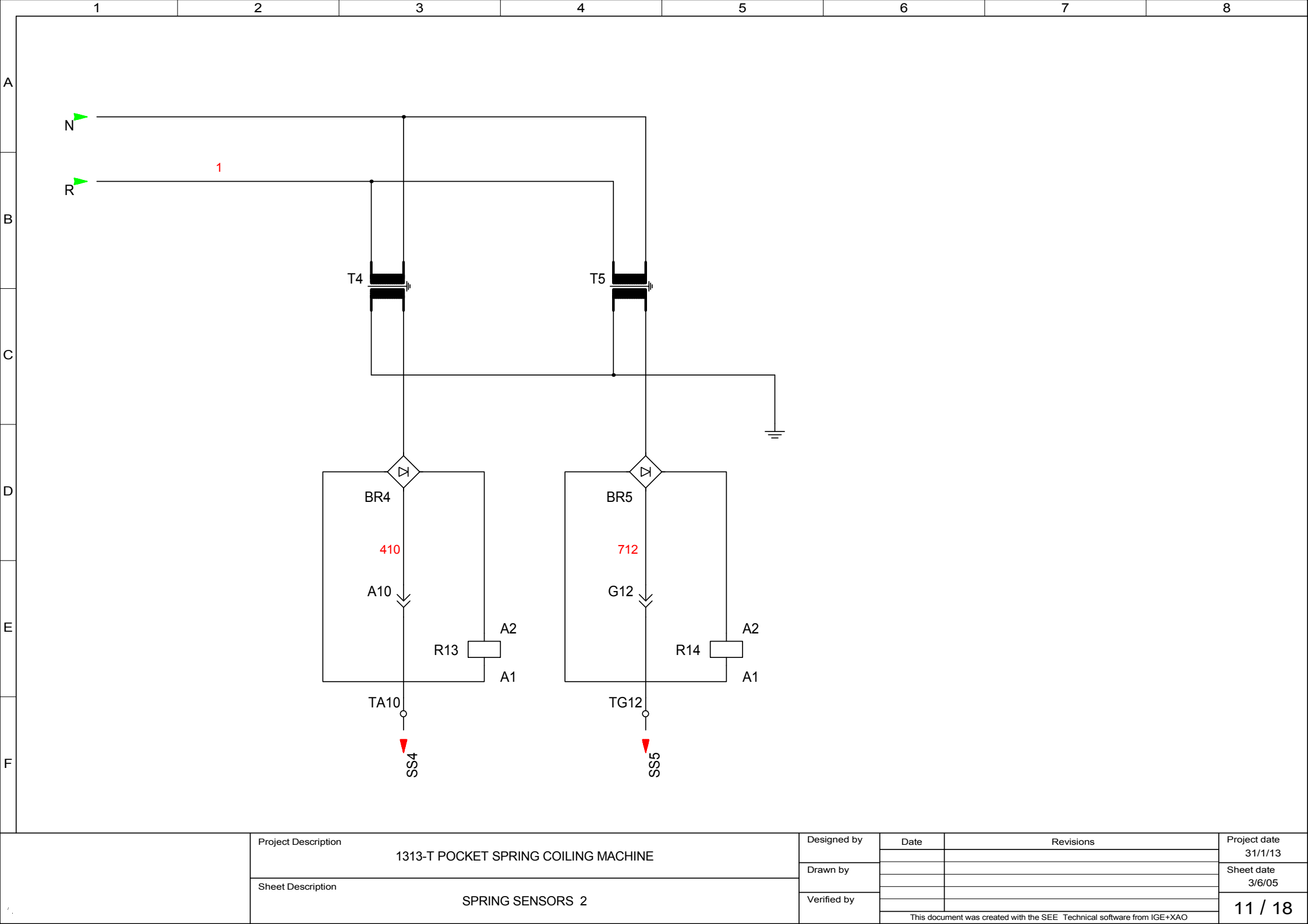
| | |
|---------------------|--------------------------------------|
| Project Description | 1313-T POCKET SPRING COILING MACHINE |
| Sheet Description | POWER DIAGRAM 4 |

| | | | |
|-------------|------|-----------|-------------------------|
| Designed by | Date | Revisions | Project date 31/1/13 |
| Drawn by | | | Sheet date 22/3/05 |
| Verified by | | | 9 / 18 |



| | |
|---------------------|--------------------------------------|
| Project Description | 1313-T POCKET SPRING COILING MACHINE |
| Sheet Description | SPRING SENSORS 1 |

| | | | |
|--|------|-----------|-------------------------|
| Designed by | Date | Revisions | Project date 31/1/13 |
| Drawn by | | | Sheet date 3/6/05 |
| Verified by | | | 10 / 18 |
| This document was created with the SEE Technical software from IGE+XAO | | | |



| | | | |
|---------------------|--------------------------------------|------------------|--|
| Project Description | 1313-T POCKET SPRING COILING MACHINE | | |
| | Sheet Description | SPRING SENSORS 2 | |

| | | |
|--|------|-----------|
| Designed by | Date | Revisions |
| Drawn by | | |
| Verified by | | |
| This document was created with the SEE Technical software from IGE+XAO | | |

| | |
|----------------|---------|
| Project date | 31/1/13 |
| Sheet date | 3/6/05 |
| 11 / 18 | |

| | 1 | 2 | 3 | 4 | 5 | 6 | 7 | 8 | |
|---|-----------------------|---------------------|--------------------------------------|-------|----------------------|-------------|------|--|--------------|
| A | FABRIC SWIFT INVERTER | | | | FABRIC LIFT INVERTER | | | | |
| | VFD007EL21A | | | | VFD007L21A | | | | |
| B | Parametre no | Deger | Parametre no | Deger | Parametre no | Deger | | | |
| | 1-00 | 50 | 6-00 | 410 | 1-00 | 50 | | | |
| C | 1-01 | 50 | 6-01 | 150 | 1-01 | 50 | | | |
| | 1-02 | 220 | 6-02 | 200 | 1-02 | 220 | | | |
| D | 1-03 | 3.0 | 7-02 | 1 | 1-03 | 1.0 | | | |
| | 1-04 | 20 | 8-00 | 100 | 1-04 | 15 | | | |
| E | 1-05 | 3.00 | 8-02 | 0.5 | 1-05 | 1.0 | | | |
| | 1-06 | 20 | 8-03 | 2.00 | 1-06 | 15 | | | |
| F | 1-09 | 2.5 | | | 1-09 | 0.2 | | | |
| | 1-10 | 1.5 | | | 1-10 | 0.2 | | | |
| | 2-00 | 1 | | | 2-01 | 1 | | | |
| | 2-01 | 1 | | | 4-05 | 6 | | | |
| | 4-05 | 5 | | | 4-06 | 7 | | | |
| | 4-06 | 1 | | | 6-00 | 410 | | | |
| | 4-07 | 2 | | | 6-01 | 200 | | | |
| | 4-08 | 3 | | | 6-02 | 0 | | | |
| | 4-11 | 1 | | | 6-03 | 150 | | | |
| | 4-12 | 00 | | | 7-02 | 1 | | | |
| | 4-13 | 10.0 | | | | | | | |
| | 4-14 | 100 | | | | | | | |
| | | Project Description | 1313-T POCKET SPRING COILING MACHINE | | | Designed by | Date | Revisions | Project date |
| | | Sheet Description | INVERTERS PARAMETERS 1 | | | Drawn by | | | 31/1/13 |
| | | | | | Verified by | | | Sheet date | |
| | | | | | | | | 3/6/05 | |
| | | | | | | | | 14 / 18 | |
| | | | | | | | | This document was created with the SEE Technical software from IGE+XAO | |

A
B
C
D
E
F

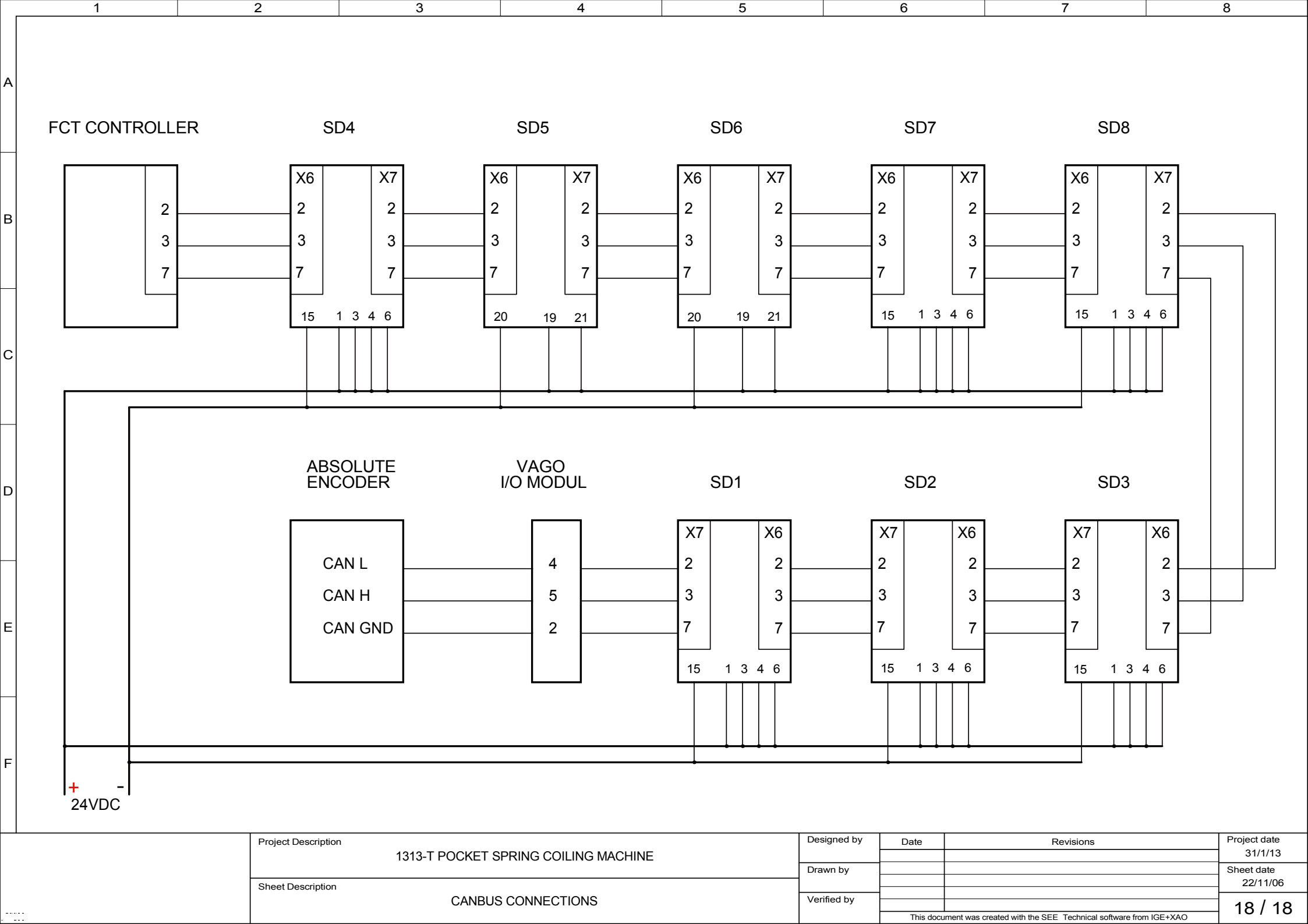
**WIRE SWIFT INVERTER
VFD015E21A**

| Parametre no | Deger |
|--------------|-------|
| 1-00 | 60 |
| 1-01 | 50 |
| 1-02 | 220 |
| 1-04 | 15 |
| 1-06 | 15 |
| 1-09 | 2.5 |
| 1-10 | 2.0 |
| 2-00 | 0 |
| 2-01 | 1 |
| 4-05 | 5 |
| 4-06 | 1 |
| 4-07 | 2 |
| 4-08 | 3 |
| 5-00 | 33.0 |
| 5-01 | 47.0 |
| 5-02 | 53.0 |
| 6-00 | 410 |
| 6-01 | 200 |
| 6-02 | 200 |
| 7-02 | 1 |

**CUTTING UNIT INVERTER
VFD004EL21A**

| Parametre no | Deger |
|--------------|-------|
| 1-00 | 60 |
| 1-01 | 50 |
| 1-02 | 220 |
| 1-03 | 1.0 |
| 1-04 | 20 |
| 1-05 | 1.0 |
| 1-06 | 20 |
| 1-09 | 0.1 |
| 1-10 | 0.1 |
| 2-01 | 1 |
| 4-05 | 5 |
| 4-06 | 1 |
| 4-07 | 2 |
| 4-08 | 3 |
| 5-00 | 15 |
| 6-00 | 410 |
| 6-01 | 150 |
| 6-02 | 150 |
| 7-02 | 1 |

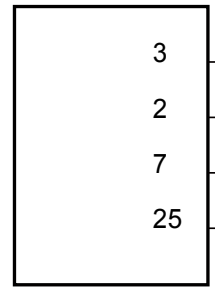
| | | | | | | | |
|--|---------------------|--------------------------------------|--|-------------|------|-----------|----------------|
| | Project Description | 1313-T POCKET SPRING COILING MACHINE | | Designed by | Date | Revisions | Project date |
| | Sheet Description | INVERTERS PARAMETERS 2 | | Drawn by | | | 31/1/13 |
| | | | | Verified by | | | 3/6/05 |
| This document was created with the SEE Technical software from IGE+XAO | | | | | | | 15 / 18 |



| | | | | | | | |
|---------------------|--------------------------------------|--|-------------|--------------------|------|-----------|--------------|
| Project Description | 1313-T POCKET SPRING COILING MACHINE | | | Designed by | Date | Revisions | Project date |
| | Sheet Description | | | CANBUS CONNECTIONS | | | 31/1/13 |
| | | | | Drawn by | | | Sheet date |
| | | | Verified by | | | | 22/11/06 |
| | | | | | | | 18 / 18 |

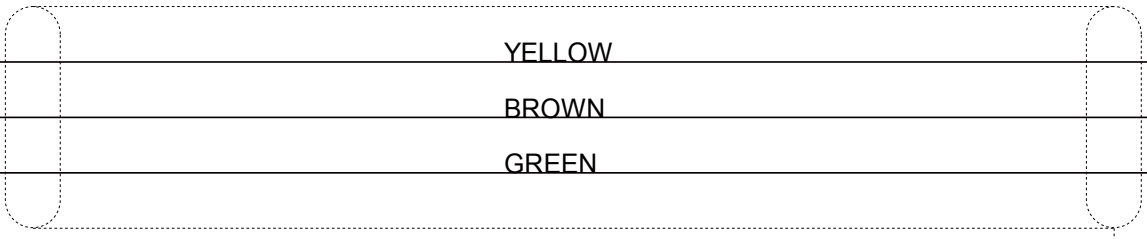
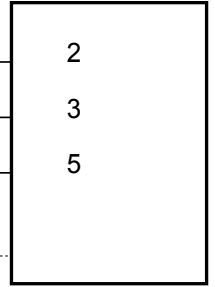
CMZ CONTROL PANEL

D-SUB CONN.
9 PIN MALE

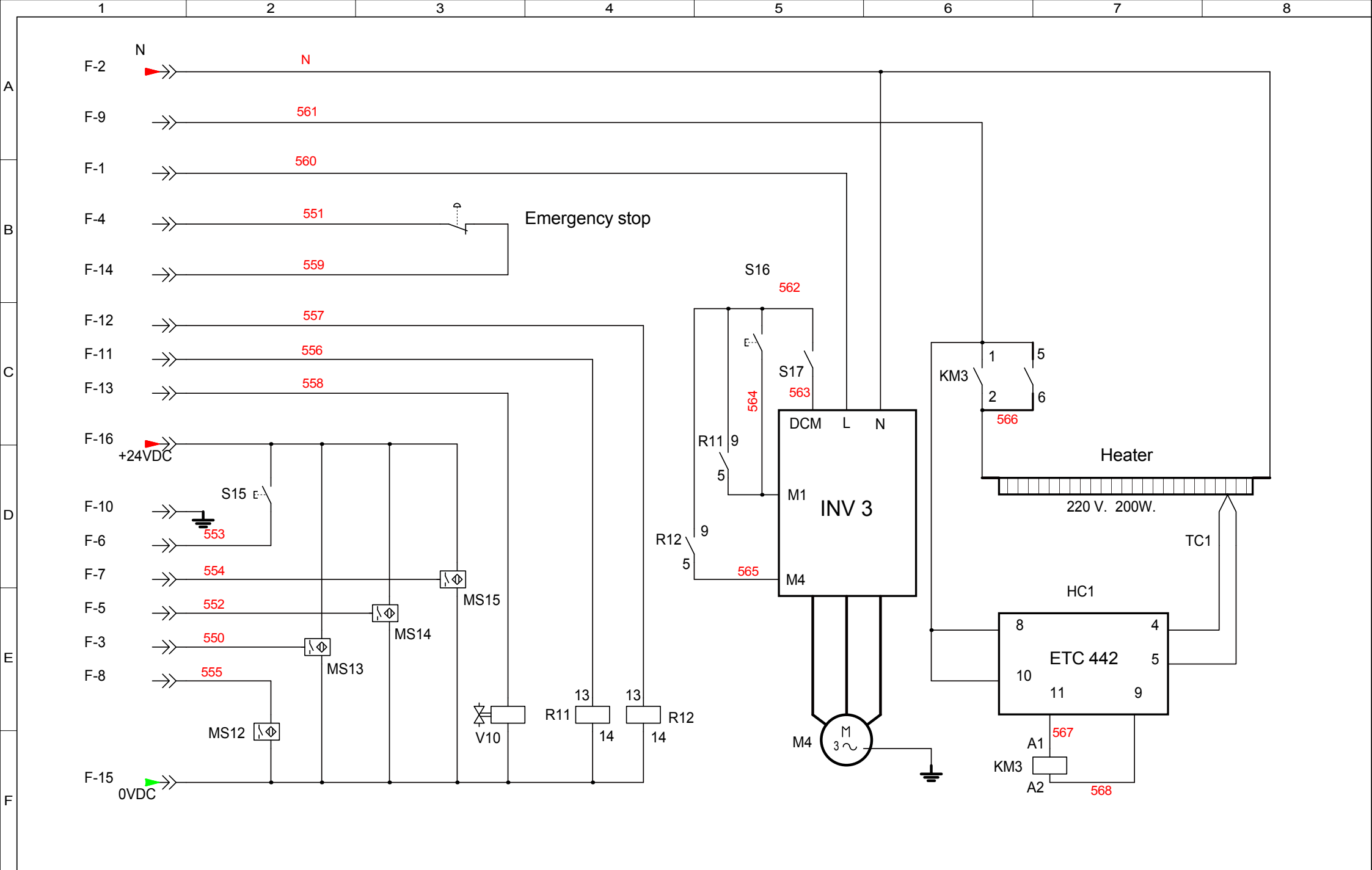


FCT CONTROLLER

D-SUB CONN.
9 PIN MALE
RS 232



| | | | | | | | | |
|--|---------------------|--------------------------------------|--|--|-------------|------|-----------|--------------|
| | Project Description | 1313-T POCKET SPRING COILING MACHINE | | | Designed by | Date | Revisions | Project date |
| | Sheet Description | CONTROL PANEL CONNECTIONS | | | Drawn by | | | 31/1/13 |
| | | | | | Verified by | | | Sheet date |
| | | | | | | | | 22/11/06 |
| | | | | | | | | 16 / 18 |
| This document was created with the SEE Technical software from IGE+XAO | | | | | | | | |



| | | | | | | | |
|--|--------------------------------------|--|--|-----------------------|------|-----------|--------------|
| Project Description | 1313-T POCKET SPRING COILING MACHINE | | | Designed by | Date | Revisions | Project date |
| | Sheet Description | | | CUTTING UNIT (OPTION) | | | 31/1/13 |
| | | | | | | | 5/12/06 |
| This document was created with the SEE Technical software from IGE+XAO | | | | | | | 17 / 18 |